

RMS170-G 170W Multi Sander IN2

5133002911 - RMS170-G - 4000462225

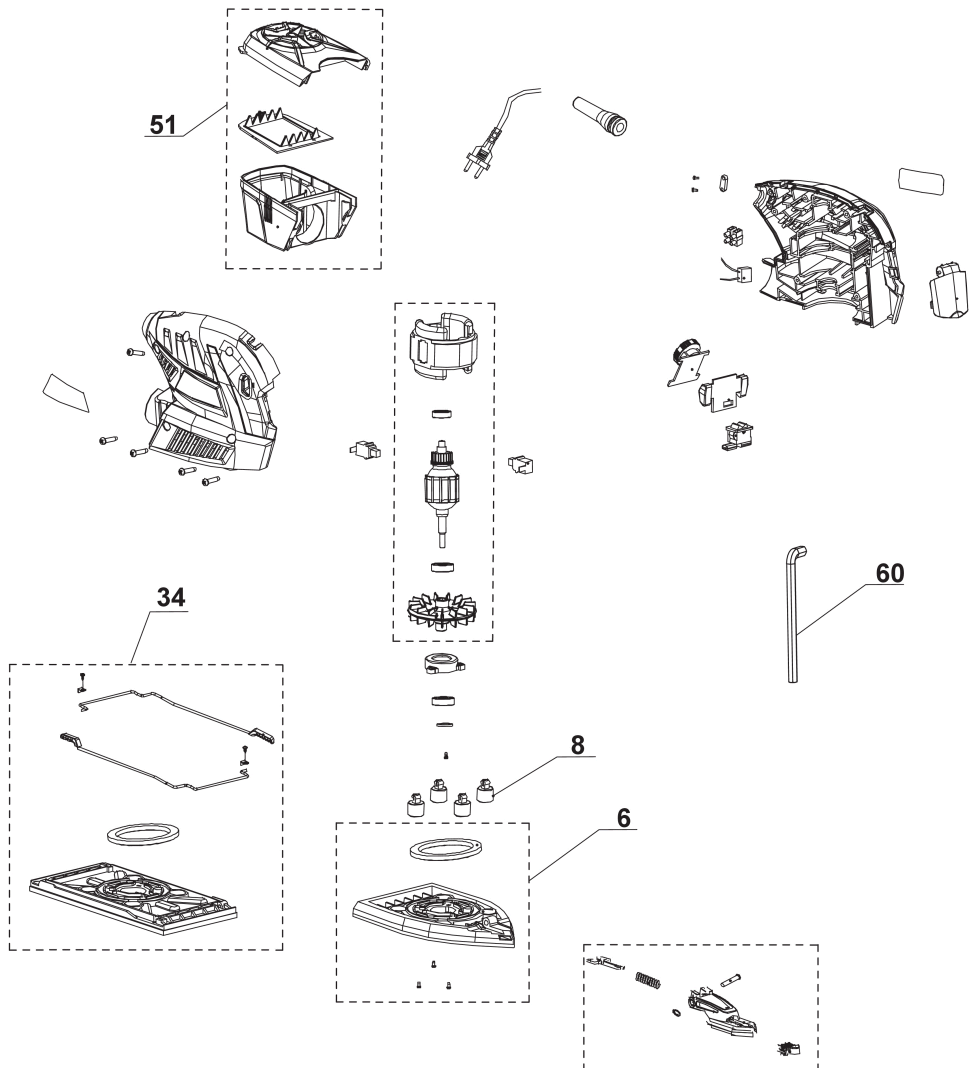




4000462225

4000462226

4000462298



Position	Quantity	Description	Part number	EAN
1006	1	GRINDING DISK	5131027499	4058546113254
1008	4	DAMPING ELEMENT	5131027500	4058546113261
1034	1	SANDING PLATE	5131027530	4058546113469
1051	1	DUST BAG	5131027514	4058546113346
1060	1	HEX WRENCH	5131000000	