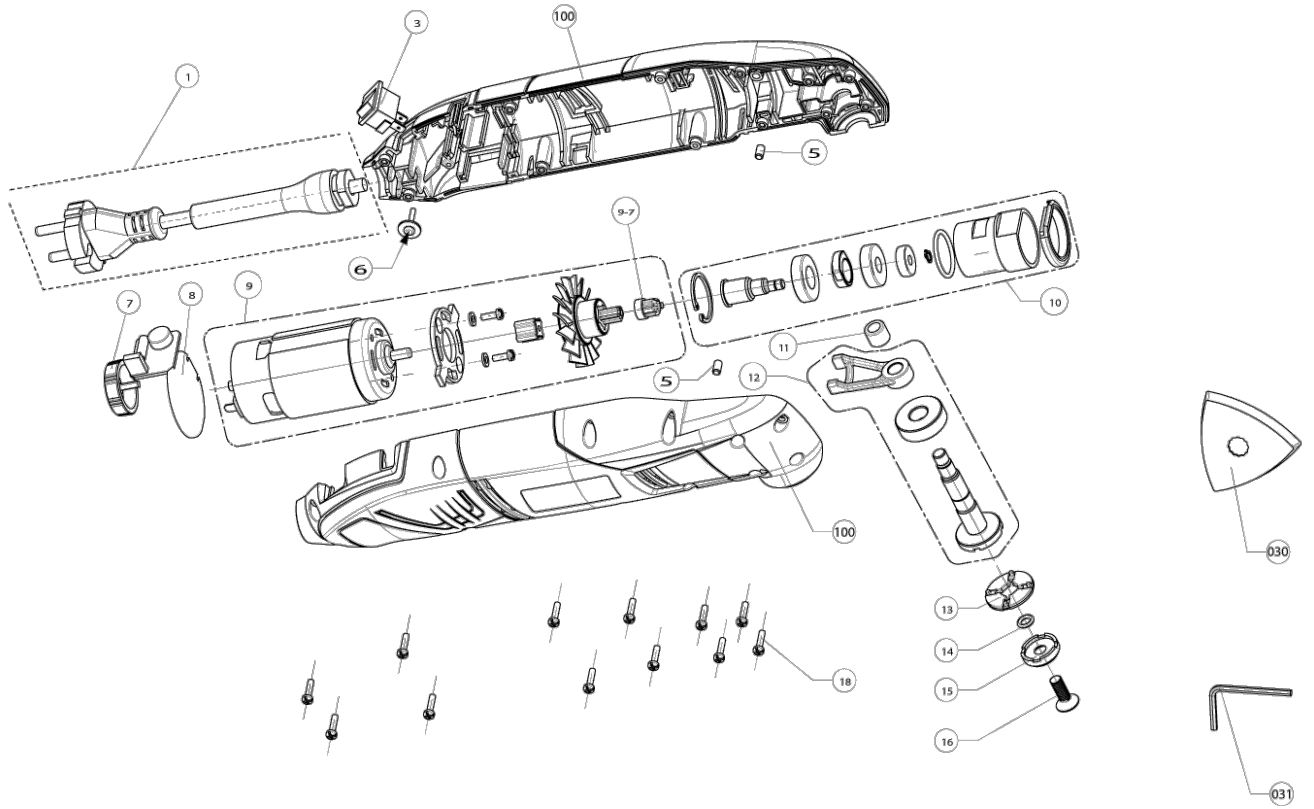


Multi Tool

5133001818 - RMT200S - 5133001818#1





Position	Quantity	Description	Part number	EAN
001	1	POWER CORD	5131031079	
003	1	SWITCH ASSEMBLY	5131031081	
005	2	PLASTIC RUBBER PLUG EBS1310V	5131017424	
006	1	SCREW M3.0X14 DIA.12 WASHER CP180M	5131016148	
007	1	DIAL-MODUL ASSEMBLY	5131031082	
008	1	PRINTED CIRCUIT	5131031083	
009	1	MOTOR ASSEMBLY	5131031084	
010	1	SPLINE DRIVER	5131031085	
011	1	NEEDLE BEARING	5131031086	
012	1	GEAR SHAFT	5131031087	
013	1	GEAR ENDPLATE	5131031088	
014	1	O-RING	5131030183	
015	1	SLEEVE	5131030182	
016	1	SCREW	5131030118	
018	12	SCREW	5131031089	
030	1	SANDING PAD	5131030957	
031	1	SANDING PAD	5131030957	
100	1	MOTOR HOUSING	5131031092	