

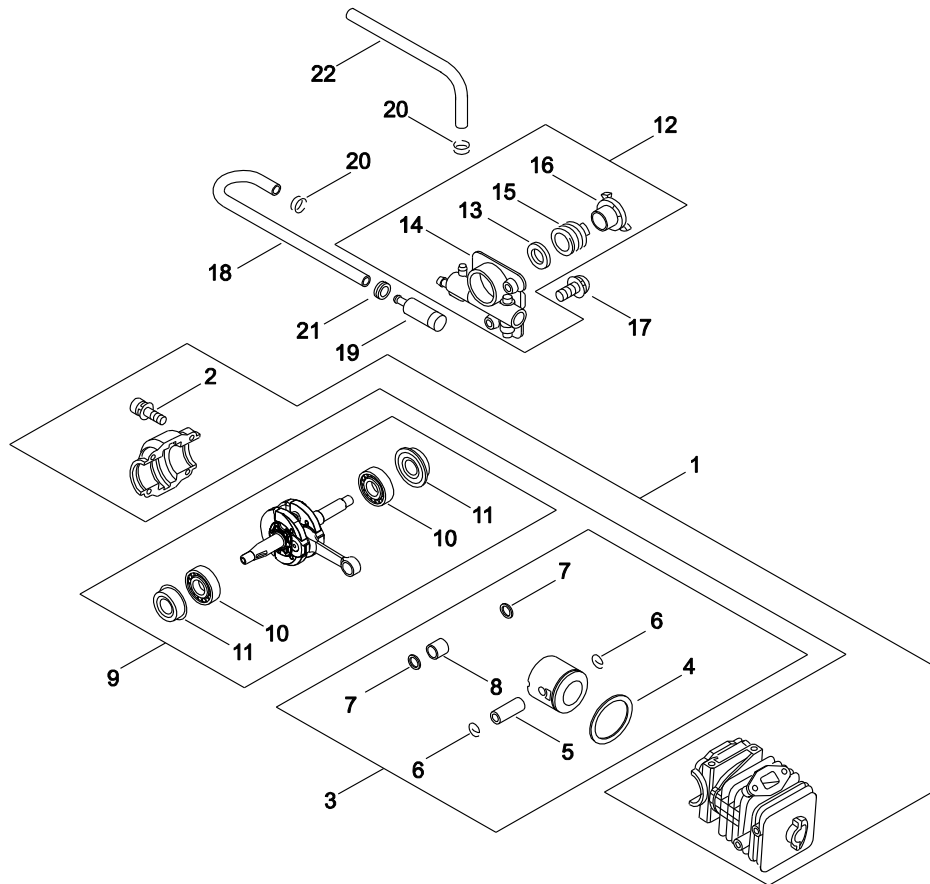


PARTS CATALOG

CHAIN SAW CS-361WES(70)

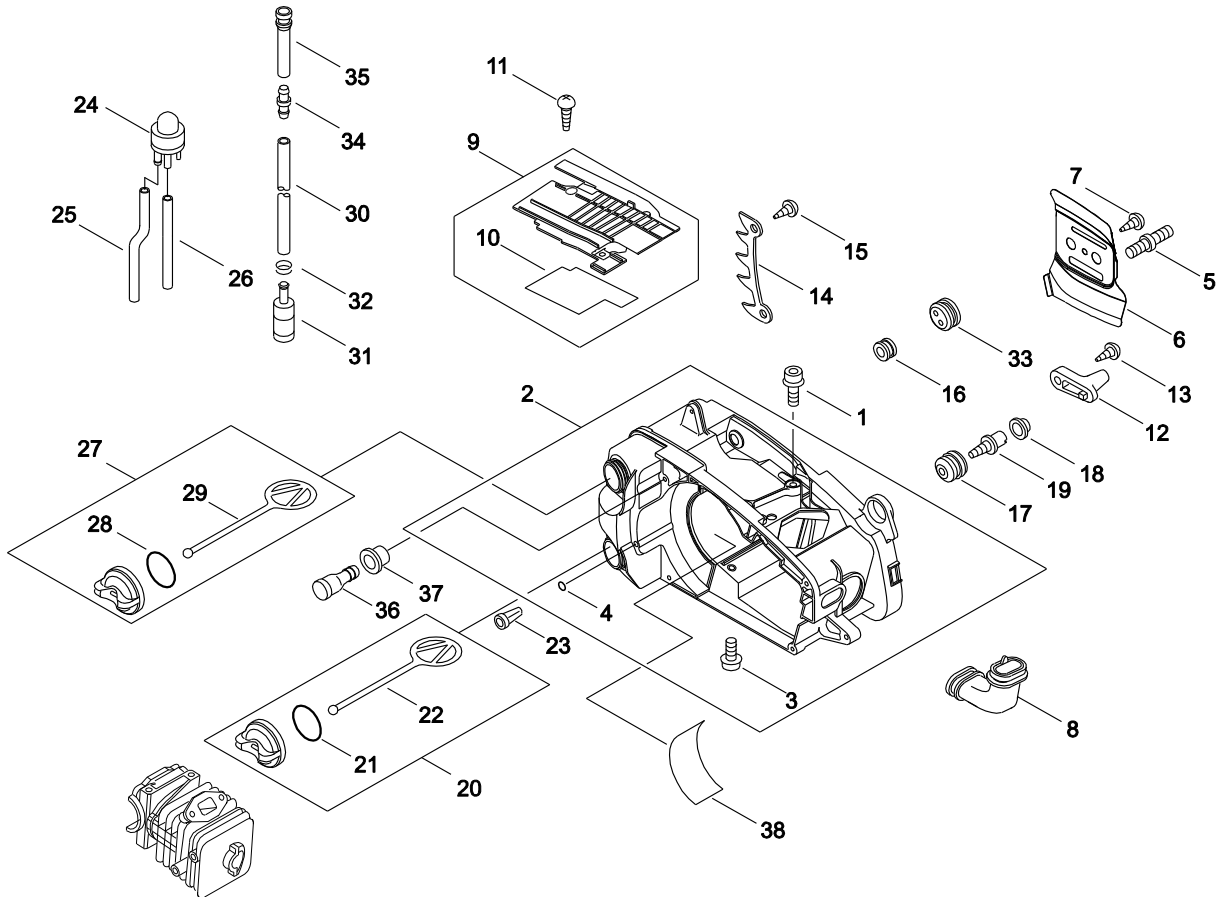
70000001 -

1. CYLINDER, PISTON, CRANKSHAFT



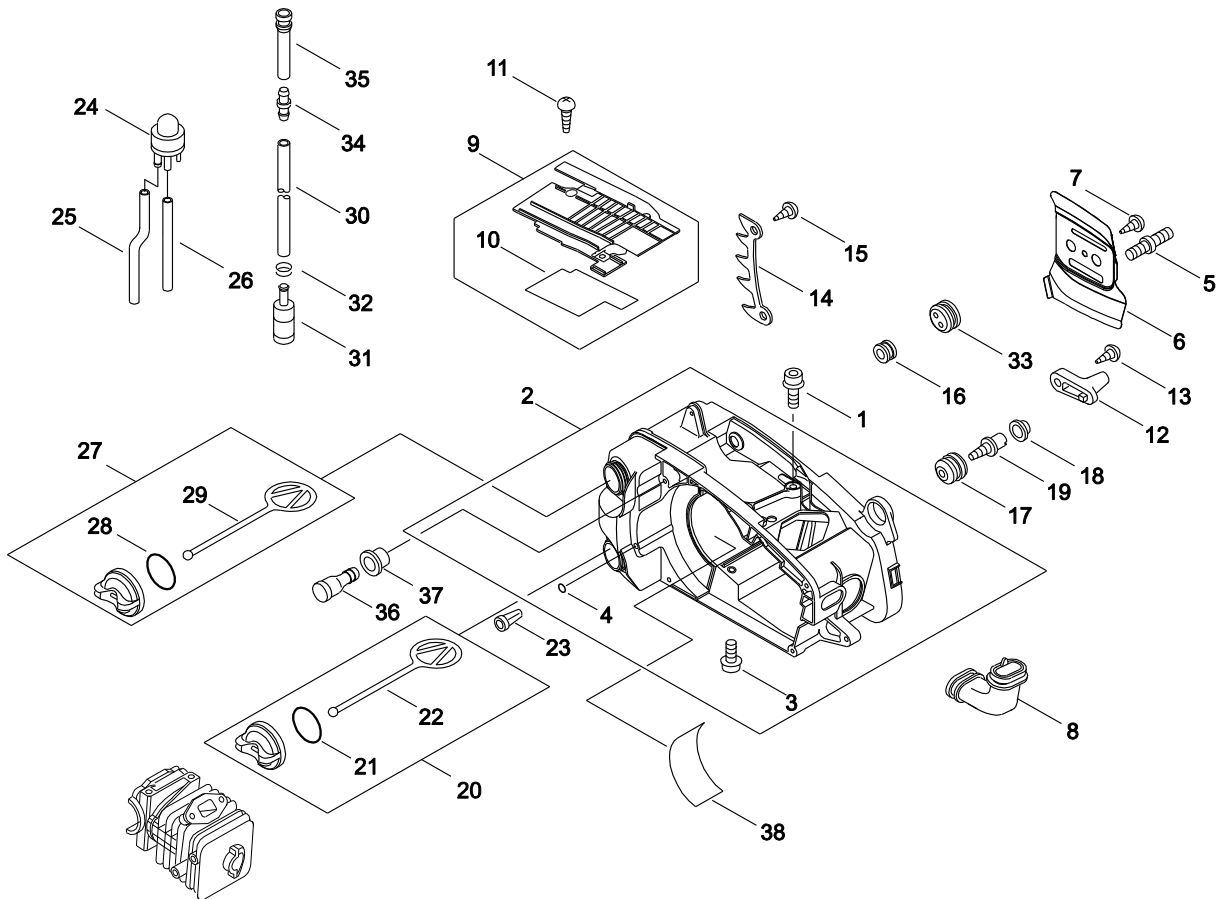
KEY	LV	PART NUMBER	Q'TY	DESCRIPTION	REMARKS	NOTE1	NOTE2
1		P021-048570	1	CRANKCASE SET			
2	+	900162-05025	4	BOLT, H.S. 5*25	5*25 W,SW		
3		P021-045440	1	PISTON KIT			
4	+	A101-000670	1	RING, PISTON	39*1.2*1.7		
5	+	100013-15330	1	PIN, PISTON	5.5*8*29		
6	+	100015-04630	2	CIRCLIP, PISTON PIN			
7	+	100014-60930	2	SPACER, PISTON PIN			
8	+	V553-000130	1	BEARING, NEEDLE 8			
9		P021-039160	1	CRANKSHAFT ASY			
10	+	94035-36201	2	BEARING BALL	6201X3JR2C3		
11	+	V505-000011	2	SEAL, OIL 12	12*32*5.5		
12		P021-010890	1	AUTO-OILER ASY			
13	+	V308-000030	1	WASHER, CIRCULAR 11	10.5*17.4*1.8		
14	+	C022-000020	1	AUTO-OILER ASSEMBLY			
15	+	V652-000030	1	GEAR, WORM			
16	+	V356-000290	1	COLLAR, 10			
17		900238-04012	2	SCREW 4*12	4*12		
18		V471-000740	1	PIPE			
19		436205-02832	1	STRAINER, OIL			
20		V490-001230	2	CLIP			
21		132115-01461	1	GROMMET			
22		V471-000760	1	PIPE			

2. ENGINE COVER



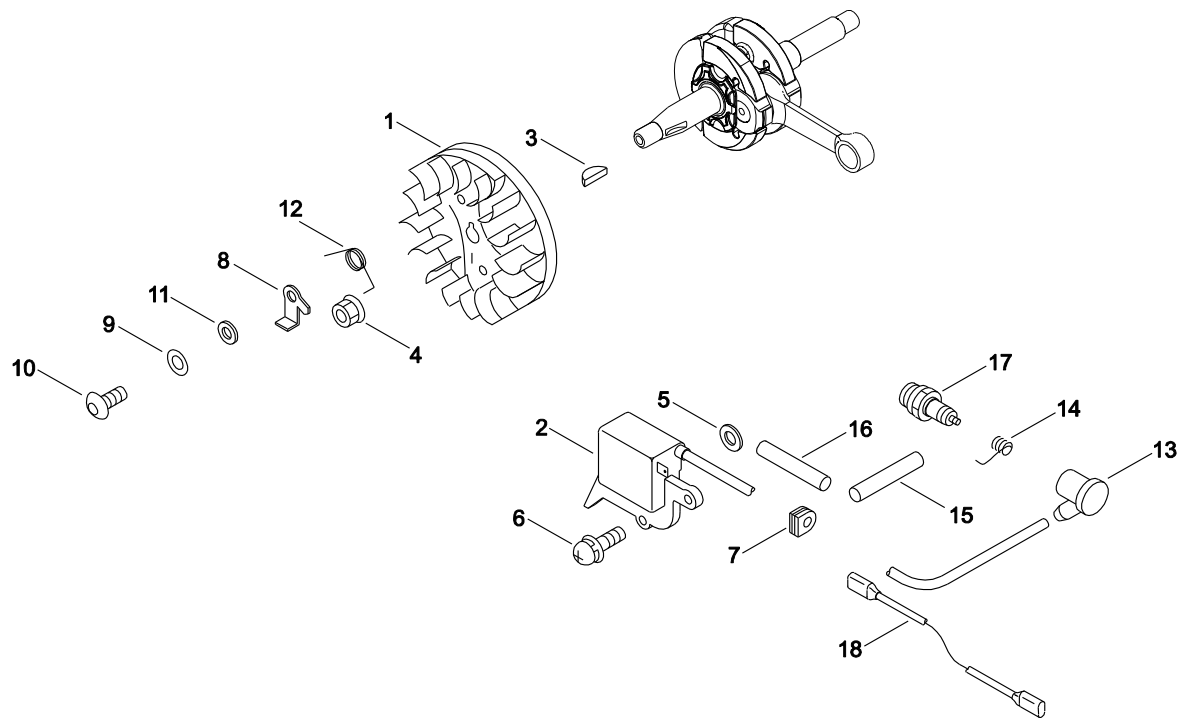
KEY	LV	PART NUMBER	Q'TY	DESCRIPTION	REMARKS	NOTE1	NOTE2
1		900106-05020	2	BOLT, H.S. 5*20	5*20		
2		P021-040641	1	COVER,ENGINE KIT			
3	+	900106-05030	2	BOLT, H.S.H. 5*30	5*30		
4	+	900724-00004	1	O-RING (S-4)	S-4		
5		V224-000031	2	BOLT,STUD 6			
6		C305-000080	1	PLATE,SPROCKET GUARD	T0.3		
7		900253-04010	1	SCREW 4*10	4*10		
8		A239-000030	1	PIPE,INTAKE	L TYPE		
9		P021-008741	1	DUSTCOVER SET			
10	+	V341-000040	1	WASHER,SQUARE			
11		900253-04012	2	SCREW	4*12		
12		433026-35430	1	CATCHER, CHAIN			
13		900253-05020	1	SCREW 5*20	5*20		
14		C304-000000	1	SPIKE			
15		900253-05020	1	SCREW 5*20	5*20		
16		163911-30130	1	PLUG			
17		100910-18830	1	CUSHION			
18		100918-15130	1	CAP			
19		V202-000020	1	BOLT,4			
20		P021-005581	1	OIL CAP ASY			
21	+	900720-00018	1	O-RING 18	P-18		
22	+	A365-000050	1	CONNECTOR,CAP			
23		436114-13930	1	VALVE, CHECK			
24		123181-39130	1	PUMP, PRIMER			
25		V471-001440	1	PIPE	2.4*5*295		

2. ENGINE COVER



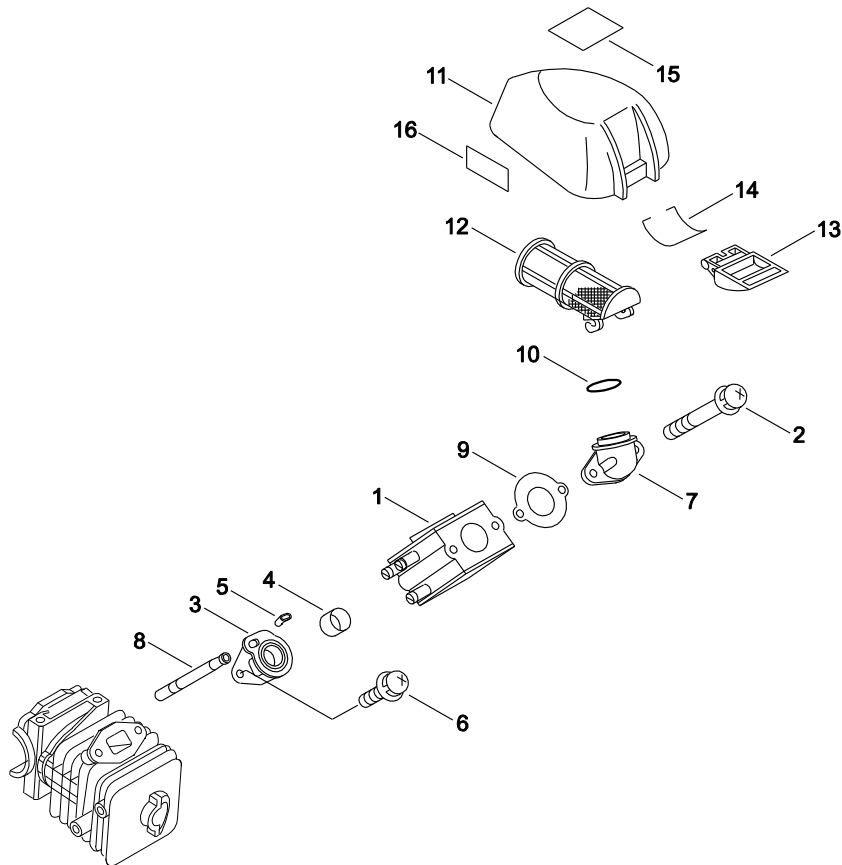
KEY	LV	PART NUMBER	Q'TY	DESCRIPTION	REMARKS	NOTE1	NOTE2
26		V471-001290	1	PIPE	2.4*5*75		
27		P021-005591	1	CAP ASY			
28	+	900720-00018	1	O-RING 18	P-18		
29	+	A365-000050	1	CONNECTOR,CAP			
30		V471-000750	1	PIPE			
31		A369-000420	1	STRAINER, FUEL	ES-16499		
32		V490-001240	1	CLIP			
33		132115-44330	1	GROMMET			
34		V186-000510	1	JOINT,PIPE			
35		V470-000321	1	PIPE	10*6*L32		
36		131300-56431	1	VENT ASSEMBLY, FUEL			
37		V137-000000	1	GROMMET,FUEL			
38		V420-001110	1	CUSHION			

3. MAGNETO



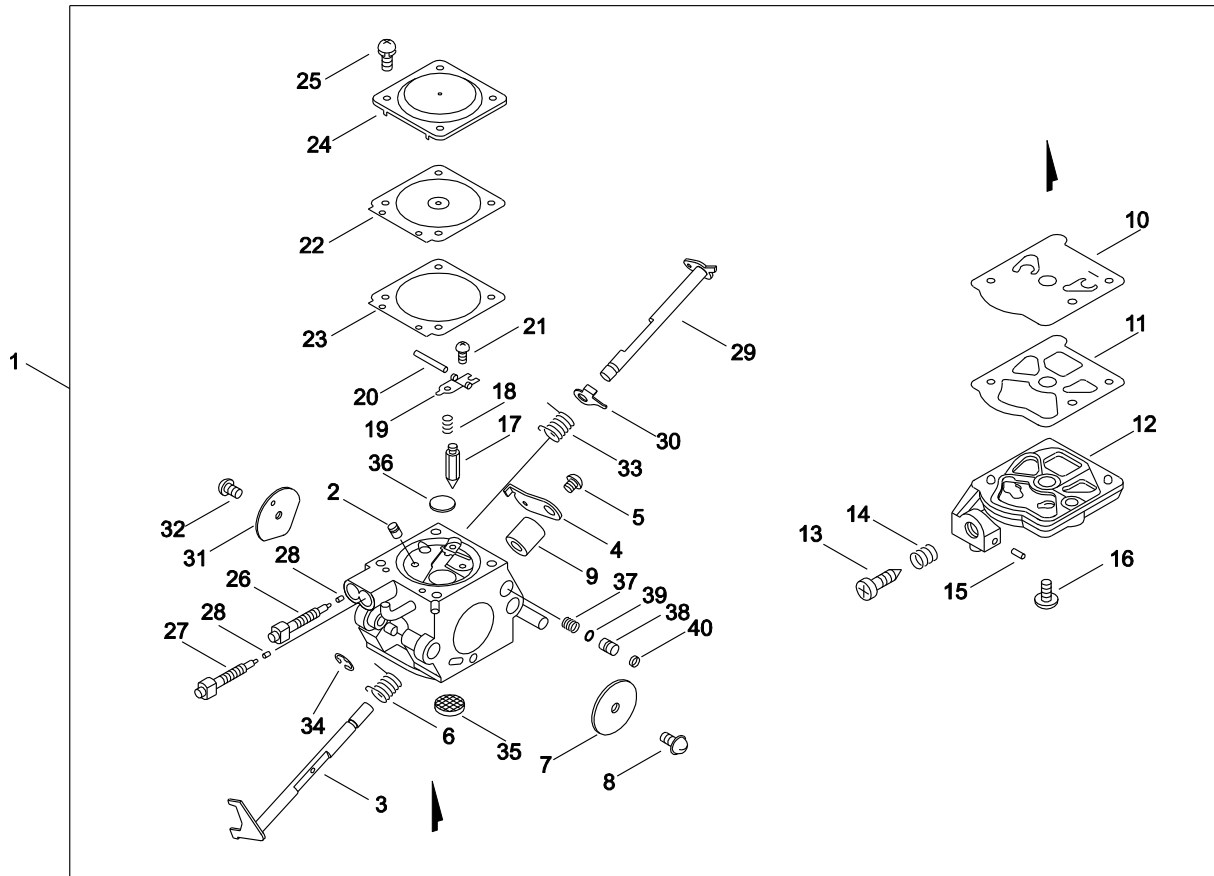
KEY	LV	PART NUMBER	Q'TY	DESCRIPTION	REMARKS	NOTE1	NOTE2
1		A409-001180	1	ROTOR, MAGNETO			
2		P021-048610	1	COIL, IGNITION			
3		100142-12330	1	KEY, WOODRUFF			
4		900515-00008	1	NUT, FLANGE 8	8		
5		150117-16430	2	SPACER			
6		900238-05020	2	SCREW 5*20	5*20		
7		156110-04920	1	BUSHING			
8		A514-000020	2	PAWL			
9		900603-00005	2	WASHER 5	5.5*12*0.8		
10		V203-000080	2	BOLT, 5	5*14		
11		177247-04630	2	SPACER, RATCHET	5.2*8*2.1		
12		177234-35430	2	SPRING, RETURN			
13		A427-000000	1	CAP, SPARK PLUG			
14		A426-000000	1	TERMINAL, SPARKPLUG			
15		V475-002390	1	TUBE			
16		V475-007430	1	TUBE			
17		A425-000000	1	SPARKPLUG	BPMR8Y		
18		V485-000550	1	LEAD	AMP-187 AMP-250		

4. AIR CLEANER, CARBURETOR



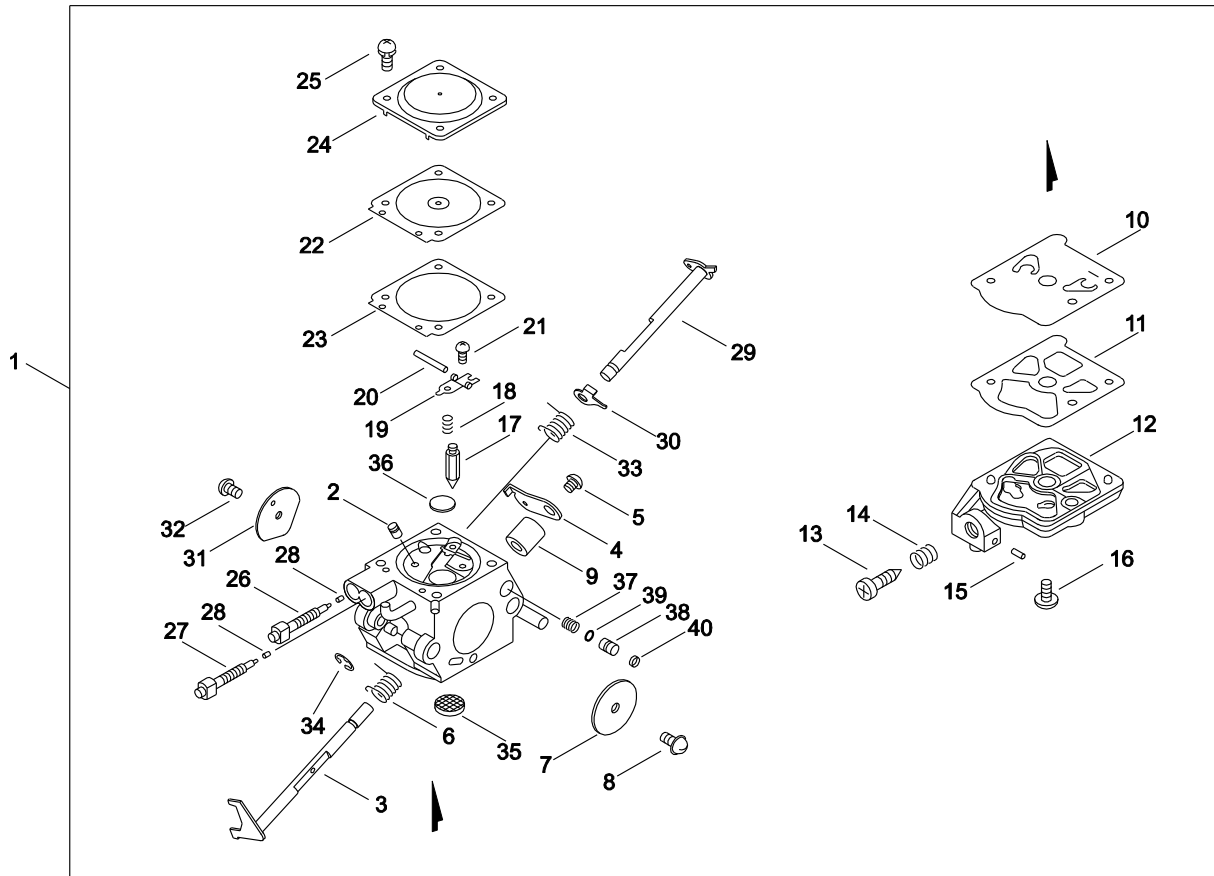
KEY	LV	PART NUMBER	Q'TY	DESCRIPTION	REMARKS	NOTE1	NOTE2
1		A021-004400	1	CARBURETOR,DIAPHRAGM	C1Q-2690		
2		900238-05050	2	SCREW 5*50	5*50		
3		A202-000033	1	BELLOWS,INTAKE			
4		V359-000060	1	COLLAR,16			
5		V351-000000	1	COLLAR,3	3.2*6.5		
6		900238-05012	2	SCREW 5*12	5*12		
7		A204-000060	1	ELBOW,CARBURETOR			
8		V470-000482	1	PIPE			
9		V103-001510	1	GASKET,INTAKE			
10		92505-10200	1	O-RING	JASO 1020		
11		A232-000191	1	LID,CLEANER			
12		A226-001700	1	ELEMENT, AIR FILTER			
13		A235-000140	1	KNOB,CLEANER LID			
14		V582-000020	1	RING,SNAP	CSE2700		
15		X503-013510	1	LABEL,MODEL			
16		X505-001340	1	LABEL,CAUTION			

5. CARBURETOR



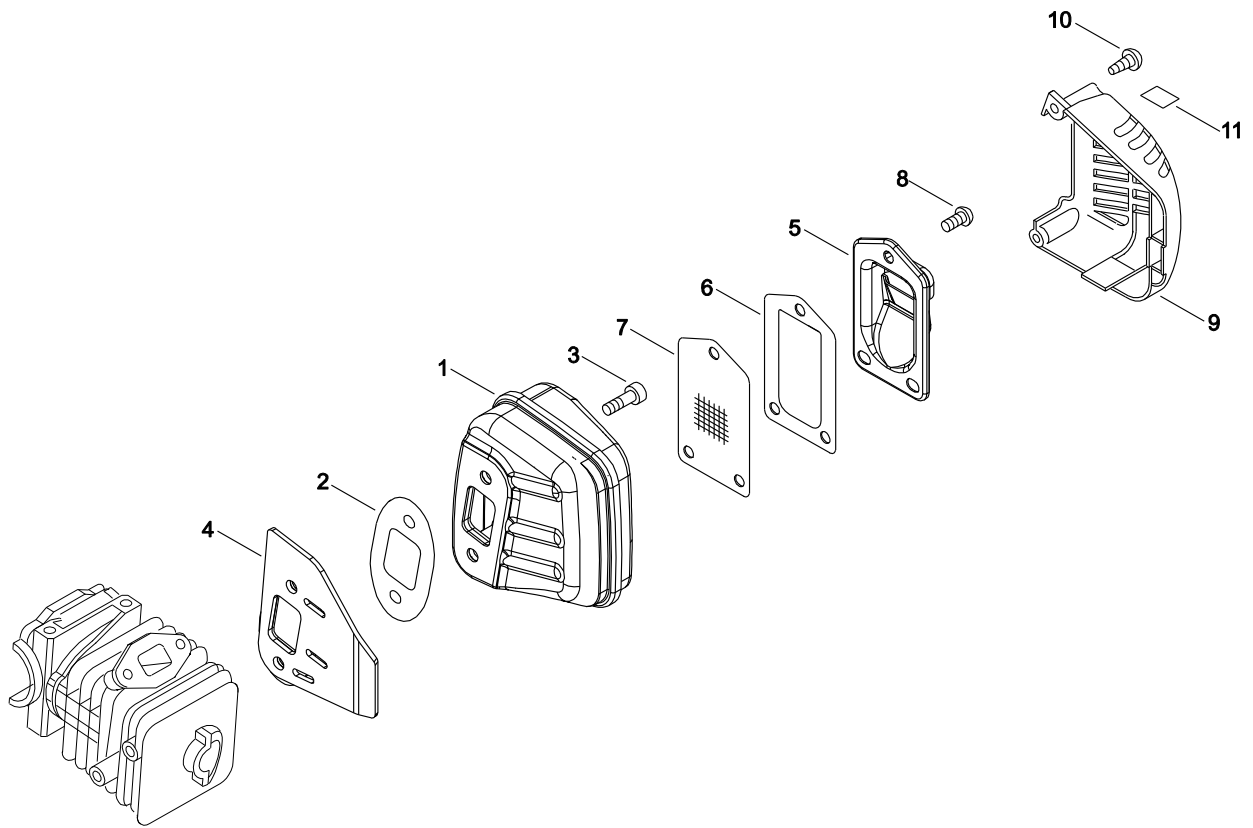
KEY	LV	PART NUMBER	Q'TY	DESCRIPTION	REMARKS	NOTE1	NOTE2
1		A021-004400	1	CARBURETOR,DIAPHRAGM	C1Q-2690		
2	+	P005-003590	1	NOZZLE, CHECK VALVE			
3	+	P005-003600	1	SHAFT ASY,THROTTLE			
4	+	P005-003610	1	LEVER, THROTTLE			
5	+	125348-13930	1	SCREW			
6	+	P005-000790	1	SPRING,THRT.RETURN			
7	+	P005-003620	1	VALVE, THROTTLE			
8	+	125314-13930	1	SCREW	3*4		
9	+	P005-003630	1	COLLAR			
10	+	P005-001110	1	DIAPHRAGM, PUMP			
11	+	125325-08360	1	GASKET, PUMP			
12	+	P005-003180	1	COVER, PUMP			
13	+	125344-08560	1	SCREW			
14	+	125333-33330	1	SPRING, IDLE ADJUST			
15	+	125378-13930	1	PIECE, FRICTION			
16	+	125310-13930	1	SCREW			
17	+	125337-08260	1	VALVE, INLET NEEDLE			
18	+	125322-11520	1	SPRING, COIL			
19	+	125323-08260	1	ARM, VALVE			
20	+	125338-13930	1	PIN, METERING ARM			
21	+	125339-13930	1	SCREW			
22	+	P005-003190	1	DIAPHRAGM ,METERING			
23	+	P005-003200	1	GASKET, METERING			
24	+	P005-003210	1	COVER, METERING			
25	+	P005-003220	4	SCREW			

5. CARBURETOR



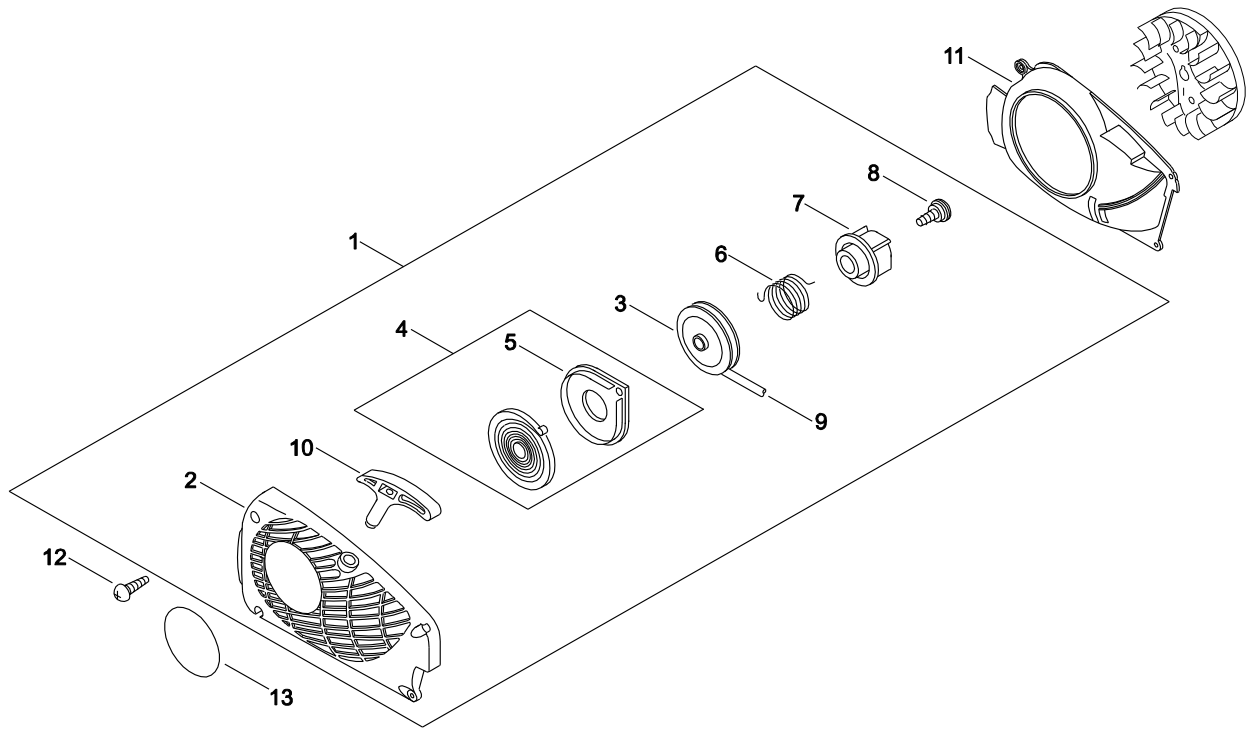
KEY	LV	PART NUMBER	Q'TY	DESCRIPTION	REMARKS	NOTE1	NOTE2
26	+	P005-002370	1	NEEDLE, HIGH SPEED			
27	+	P005-002380	1	NEEDLE, IDLE			
28	+	125363-12820	2	RETAINER			
29	+	P005-002390	1	SHAFT, CHOKE			
30	+	P005-003050	1	LEVER, CHOKE			
31	+	P005-003640	1	VALVE, CHOKE			
32	+	125314-51230	1	SCREW	3*4.5		
33	+	P005-003650	1	SPRING, CHOKE RETURN			
34	+	125327-15130	1	CLIP			
35	+	P005-000860	1	SCREEN, FUEL INLET			
36	+	P005-002400	1	PLUG, WELCH			
37	+	P005-003660	1	SPRING			
38	+	P005-003670	1	PLUNGER			
39	+	P005-003680	1	O-RING			
40	+	P005-003690	1	PLUG			

6. MUFFLER



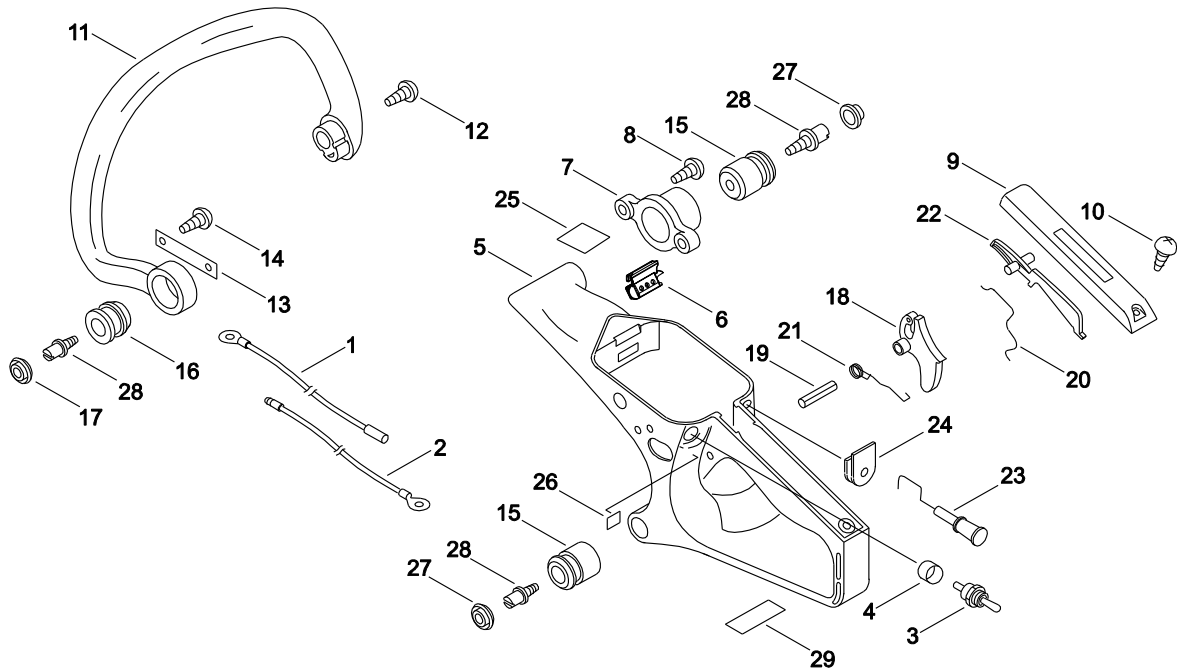
KEY	LV	PART NUMBER	Q'TY	DESCRIPTION	REMARKS	NOTE1	NOTE2
1		A300-001841	1	MUFFLER, EXHAUST	T:0.6		
2		V104-001960	1	GASKET,EXHAUST			
3		900105-05018	2	BOLT, H.S. 5*18	5*18		
4		A312-000070	1	PLATE, EXHUST			
5		A313-001980	1	GUIDE, EXHAUST	ID# 2140		
6		V104-001980	1	GASKET,EXHAUST			
7		A310-000431	1	SCREEN, ARRESTOR			
8		900242-04010	3	SCREW 4*10	4*10		
9		A320-001130	1	COVER,MUFFLER			
10		900253-04016	2	SCREW 4*16	4*16		
11		X505-007710	1	LABEL,CAUTION			

7. RECOIL STARTER



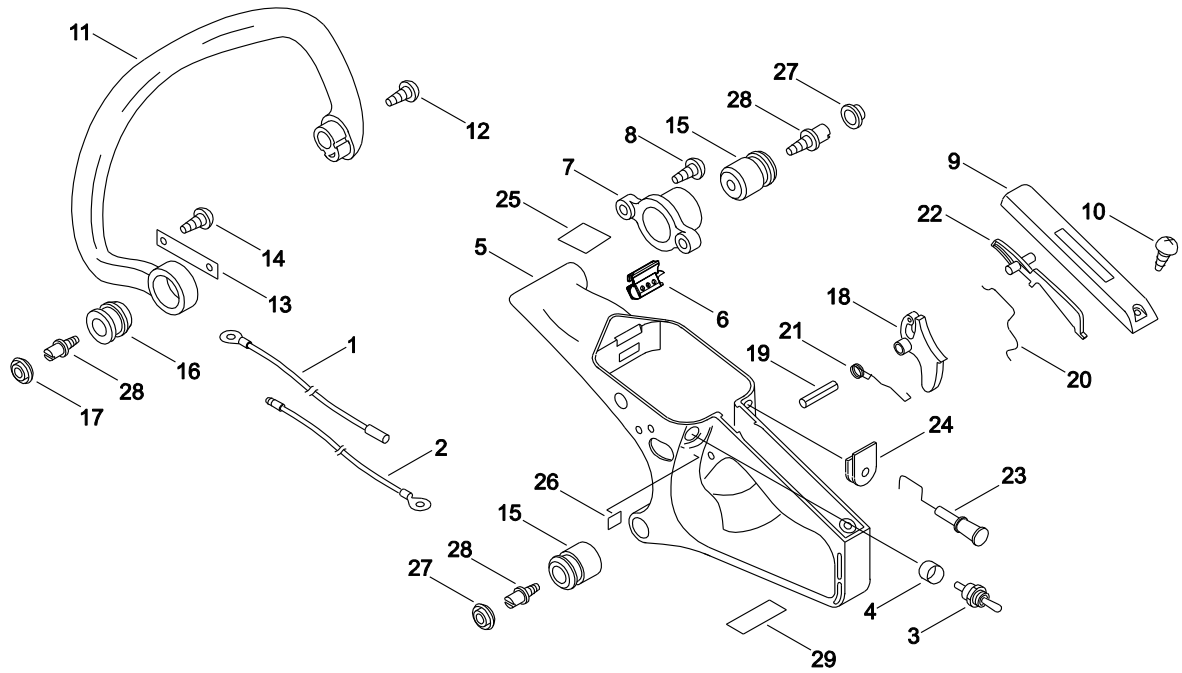
KEY	LV	PART NUMBER	Q'TY	DESCRIPTION	REMARKS	NOTE1	NOTE2
1		A051-003010	1	STARTER,RECOIL ASY			
2	+	P022-039160	1	CASE,STARTER			
3	+	A506-000460	1	REEL,ROPE			
4	+	P022-001330	1	SPRING KIT, REWIND			
5	++	P022-033280	1	SPRING CASE			
6	+	V452-001320	1	SPRING,TORSION			
7	+	A507-000110	1	CATCHER,PAWL			
8	+	177236-61830	1	SCREW			
9	+	P022-008440	1	ROPE, STARTER	3.5*900		
10	+	P022-005891	1	GRIP, STARTER			
11		A172-002190	1	COVER,FAN			
12		900256-04016	4	SCREW 4*16			
13		X502-000410	1	LABEL,ECHO			

8. HANDLE



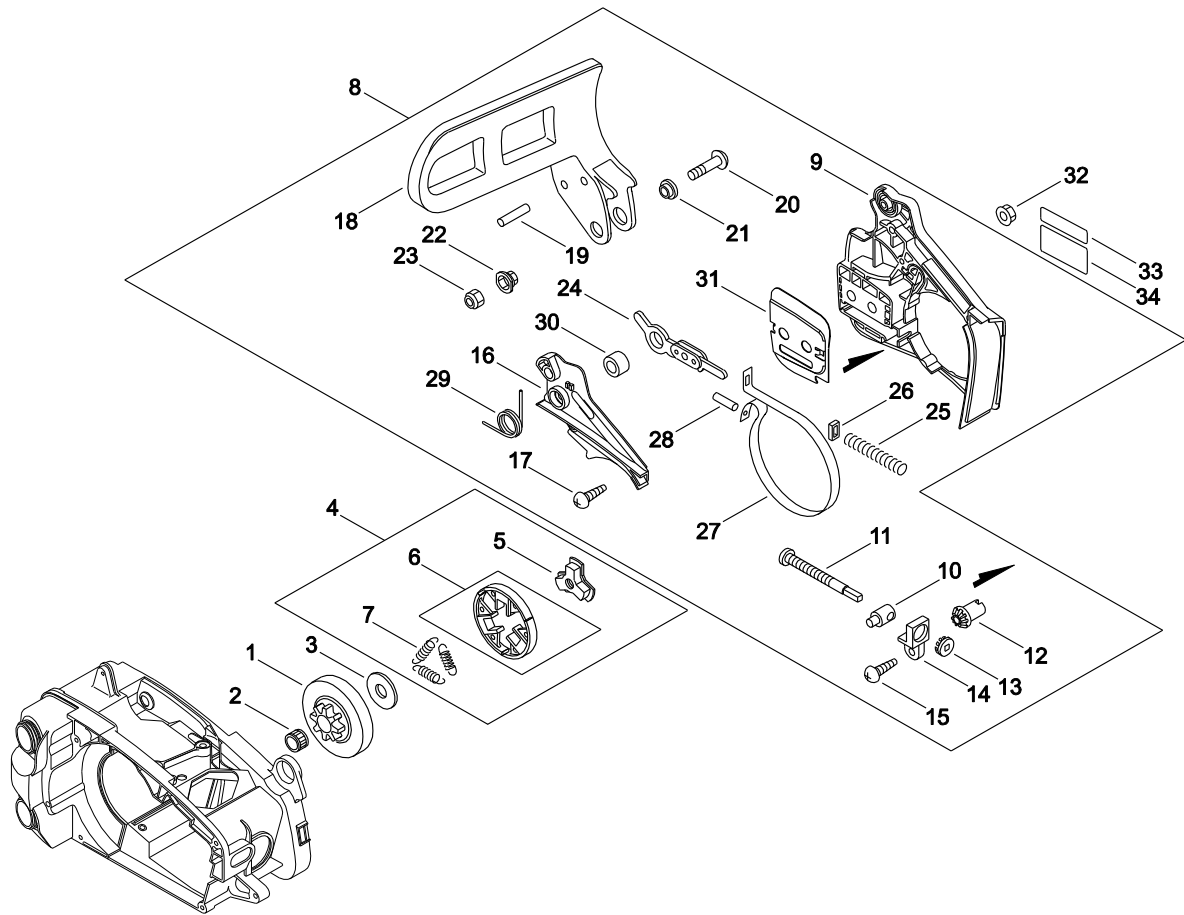
KEY	LV	PART NUMBER	Q'TY	DESCRIPTION	REMARKS	NOTE1	NOTE2
1		V485-000560	1	LEAD	CB-104 LA-105		
2		V485-000571	1	LEAD			
3		163400-38430	1	SWITCH, IGNITION			
4		A472-000091	1	CASE, SWITCH			
5		C410-000253	1	HANDLE, REAR			
6		V142-000020	1	GROMMET, DUST			
7		V424-000000	1	SLEEVE, CUSHION			
8		900253-04016	2	SCREW 4*16	4*16		
9		C411-000001	1	LID, HANDLE			
10		900253-04012	1	SCREW	4*12		
11		C400-000321	1	HANDLE, FRONT			
12		900253-05020	2	SCREW 5*20	5*20		
13		C617-000200	1	STOPPER			
14		900253-04008	1	SCREW 4*8	4*8		
15		V400-000070	2	CUSHION, 4			
16		V401-000120	1	CUSHION, 5			
17		100918-14330	1	CAP, CUSHION			
18		C450-000141	1	TRIGGER, THROTTLE			
19		900345-40025	1	PIN, SPRING 4*25SUS	4*25SUS		
20		C454-000110	1	ROD, THROTTLE			
21		V452-000260	1	SPRING, TORSION			
22		178090-37930	1	LOCKOUT, T. CONTROL			
23		A241-000060	1	KNOB, CHOKE			
24		V130-000010	1	GROMMET, CHOKE			

8. HANDLE



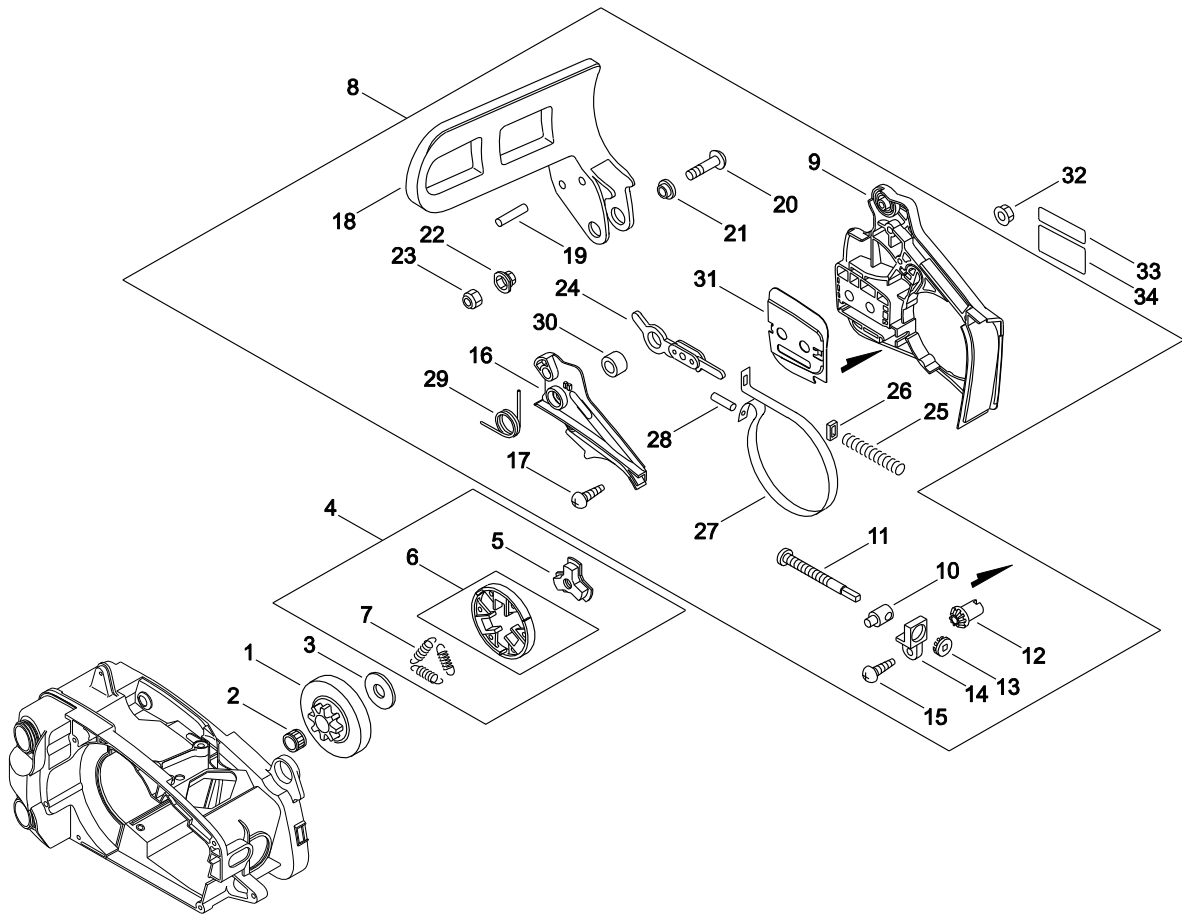
KEY	LV	PART NUMBER	Q'TY	DESCRIPTION	REMARKS	NOTE1	NOTE2
25		890345-39231	1	LABEL,CAUTION			
26		890157-39131	1	LABEL, SWITCH			
27		100918-15130	2	CAP			
28		V202-000020	3	BOLT,4			
29		X505-007100	1	LABEL,CAUTION	50:1		

9. CHAIN BRAKE



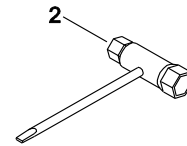
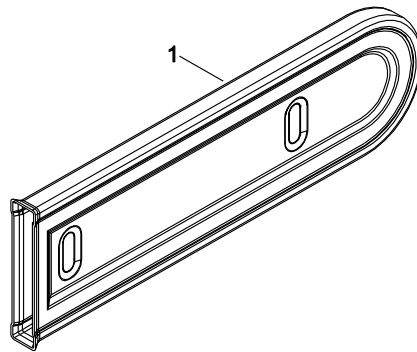
KEY	LV	PART NUMBER	Q'TY	DESCRIPTION	REMARKS	NOTE1	NOTE2
1		175005-39133	1	DRUM, CLUTCH			
2		V555-000170	1	BEARING,NEEDLE 10	8E-KV10*13*12.8		
3		A551-000010	1	PLATE,CLUTCH			
4		A056-000070	1	CLUTCH			
5	+	A552-000020	1	HUB,CLUTCH			
6		P021-005810	1	CLUTCH SHOE SET			
7	+	V451-000470	3	SPRING,TENSION			
8		P021-048620	1	BRAKE,ASM CHAIN			
9	+	C300-000242	1	GUARD, SPROCKET			
10	+	C309-000030	1	TENSIONER,CHAIN			
11		V203-000041	1	BOLT,5			
12	+	V651-000001	1	GEAR,BEVEL			
13	+	V651-000011	1	GEAR,BEVEL			
14	+	V355-000140	1	COLLAR,8			
15	+	900253-04012	1	SCREW	4*12		
16	+	C345-000084	1	COVER,BRAKE			
17	+	900253-04012	3	SCREW	4*12		
18	+	C320-000047	1	LEVER,BRAKE			
19	+	900330-30260	2	ROLLER 3*26	3*26		
20	+	91318-05032	1	SCREW	5*32		
21	+	433167-39130	1	SPACER			
22	+	V353-000060	1	COLLAR,5			
23	+	900562-50005	1	LOCKNUT 5	5		
24	+	C334-000070	1	CONNECTOR,BRAKE			

9. CHAIN BRAKE



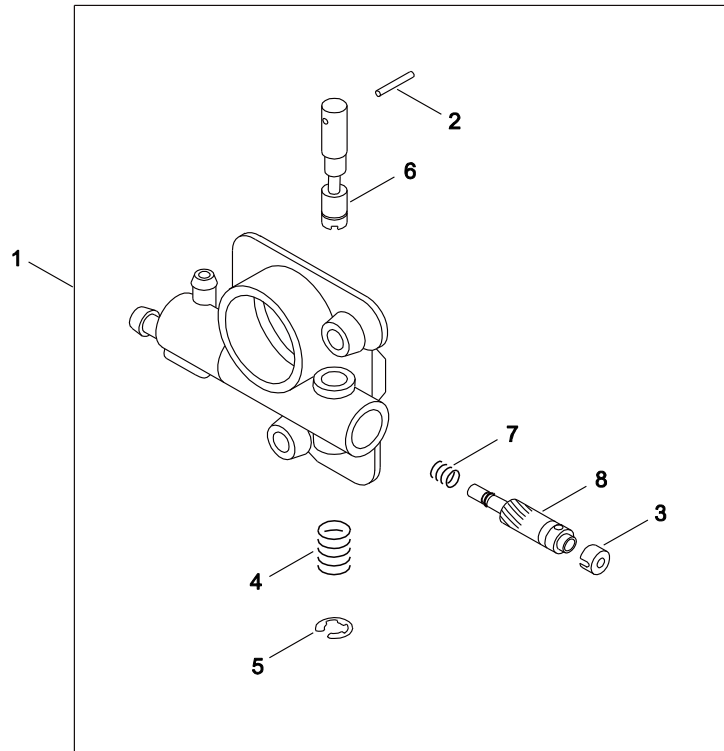
KEY	LV	PART NUMBER	Q'TY	DESCRIPTION	REMARKS	NOTE1	NOTE2
25	+	V450-000070	1	SPRING,COMPRESSION			
26	+	V376-000450	1	SPACER			
27	+	C328-000030	1	BAND,BRAKE			
28	+	93050-30098	1	ROLLER	F3*9.8		
29	+	V452-000110	1	SPRING,TORSION			
30	+	433116-35430	1	SPACER 8	8*12*9		
31	+	C305-000091	1	PLATE,SPROCKET GUARD	T0.5		
32		433019-03933	2	NUT, FLANGE 6	6		
33		X502-000340	1	LABEL,ECHO	ECHO(WHITE)		
34		X505-002340	1	LABEL,CAUTION			

10. ACCESSORIES





KEY	LV	PART NUMBER	Q'TY	DESCRIPTION	REMARKS	NOTE1	NOTE2
1		X490-000570	1	SCABBARD,CHAIN			
2		895410-03930	1	WRENCH, W/S. DRIVER			

11. AUTO-OILER



KEY	LV	PART NUMBER	Q'TY	DESCRIPTION	REMARKS	NOTE1	NOTE2
1		C022-000020	1	AUTO-OILER ASSEMBLY			
2	+	P003-002180	1	PIN, SPRING			
3	+	437062-38330	1	CAP, OIL PUMP			
4	+	437015-37330	1	SPRING			
5	+	123127-15030	1	RING			
6	+	P003-001370	1	NEEDLE-ADJ			
7	+	437019-38330	1	SPRING			
8	+	437024-37330	1	PLUNGER			

12. GUIDE BAR, CHAIN

Pitch ピッチ (inch) (mm)	Gauge ゲージ (inch) (mm)	Length 長さ (cm)	Guide Bar ガイドバー		Saw Chain ソーチェン		Hard Nose ハード ノーズ 	Sprocket Nose スプロケット ノーズ 
			Key №	Type 形式	Key №	Type 形式		
3/8 9.53	0.050 1.27	30	A1	30RC50M-3/8	A2	91VXL-47E		●
3/8 9.53	0.050 1.27	35	B1	35RC50M-3/8	B2	91VXL-53E		●
3/8 9.53	0.050 1.27	40	C1	40RC50-3/8	C2	91VXL-58E		●

KEY	LV	PART NUMBER	Q'TY	DESCRIPTION	REMARKS	NOTE1	NOTE2
A1		X122-000072	1	BAR,GUIDE 30	30RC50M-3/8 ECHO		
A2		X222-000130	1	CHAIN,SAW	91VXL-47E		
B1		X123-000132	1	BAR,GUIDE 35	35RC50M-3/8 ECHO		
B2		X223-000080	1	CHAIN,SAW	91VXL-53E		
C1		430211-13432	1	BAR,GUIDE 40RC50-3/8	40RC50-3/8		
C2		X224-000030	1	CHAIN,SAW	91VXL-58E		

Index

Patrs Number	Key No.	Patrs Number	Key No.	Patrs Number	Key No.
100013-15330	1 - 5	890345-39231	8 - 25	A310-000431	6 - 7
100014-60930	1 - 7	895410-03930	10 - 2	A312-000070	6 - 4
100015-04630	1 - 6	900105-05018	6 - 3	A313-001980	6 - 5
100142-12330	3 - 3	900106-05020	2 - 1	A320-001130	6 - 9
100910-18830	2 - 17	900106-05030	2 - 3	A365-000050	2 - 22
100918-14330	8 - 17	900162-05025	1 - 2	A365-000050	2 - 29
100918-15130	2 - 18	900238-04012	1 - 17	A369-000420	2 - 31
100918-15130	8 - 27	900238-05012	4 - 6	A409-001180	3 - 1
123127-15030	11 - 5	900238-05020	3 - 6	A425-000000	3 - 17
123181-39130	2 - 24	900238-05050	4 - 2	A426-000000	3 - 14
125310-13930	5 - 16	900242-04010	6 - 8	A427-000000	3 - 13
125314-13930	5 - 8	900253-04008	8 - 14	A472-000091	8 - 4
125314-51230	5 - 32	900253-04010	2 - 7	A506-000460	7 - 3
125322-11520	5 - 18	900253-04012	2 - 11	A507-000110	7 - 7
125323-08260	5 - 19	900253-04012	8 - 10	A514-000020	3 - 8
125325-08360	5 - 11	900253-04012	9 - 15	A551-000010	9 - 3
125327-15130	5 - 34	900253-04012	9 - 17	A552-000020	9 - 5
125333-33330	5 - 14	900253-04016	6 - 10	C022-000020	1 - 14
125337-08260	5 - 17	900253-04016	8 - 8	C022-000020	11 - 1
125338-13930	5 - 20	900253-05020	2 - 13	C300-000242	9 - 9
125339-13930	5 - 21	900253-05020	2 - 15	C304-000000	2 - 14
125344-08560	5 - 13	900253-05020	8 - 12	C305-000080	2 - 6
125348-13930	5 - 5	900256-04016	7 - 12	C305-000091	9 - 31
125363-12820	5 - 28	900330-30260	9 - 19	C309-000030	9 - 10
125378-13930	5 - 15	900345-40025	8 - 19	C320-000047	9 - 18
131300-56431	2 - 36	900515-00008	3 - 4	C328-000030	9 - 27
132115-01461	1 - 21	900562-50005	9 - 23	C334-000070	9 - 24
132115-44330	2 - 33	900603-00005	3 - 9	C345-000084	9 - 16
150117-16430	3 - 5	900720-00018	2 - 21	C400-000321	8 - 11
156110-04920	3 - 7	900720-00018	2 - 28	C410-000253	8 - 5
163400-38430	8 - 3	900724-00004	2 - 4	C411-000001	8 - 9
163911-30130	2 - 16	91318-05032	9 - 20	C450-000141	8 - 18
175005-39133	9 - 1	92505-10200	4 - 10	C454-000110	8 - 20
177234-35430	3 - 12	93050-30098	9 - 28	C617-000200	8 - 13
177236-61830	7 - 8	94035-36201	1 - 10	P003-001370	11 - 6
177247-04630	3 - 11	A021-004400	4 - 1	P003-002180	11 - 2
178090-37930	8 - 22	A021-004400	5 - 1	P005-000790	5 - 6
430211-13432	12 - C1	A051-003010	7 - 1	P005-000860	5 - 35
433019-03933	9 - 32	A056-000070	9 - 4	P005-001110	5 - 10
433026-35430	2 - 12	A101-000670	1 - 4	P005-002370	5 - 26
433116-35430	9 - 30	A172-002190	7 - 11	P005-002380	5 - 27
433167-39130	9 - 21	A202-000033	4 - 3	P005-002390	5 - 29
436114-13930	2 - 23	A204-000060	4 - 7	P005-002400	5 - 36
436205-02832	1 - 19	A226-001700	4 - 12	P005-003050	5 - 30
437015-37330	11 - 4	A232-000191	4 - 11	P005-003180	5 - 12
437019-38330	11 - 7	A235-000140	4 - 13	P005-003190	5 - 22
437024-37330	11 - 8	A239-000030	2 - 8	P005-003200	5 - 23
437062-38330	11 - 3	A241-000060	8 - 23	P005-003210	5 - 24
890157-39131	8 - 26	A300-001841	6 - 1	P005-003220	5 - 25

Index

Patrs Number	Key No.	Patrs Number	Key No.	Patrs Number	Key No.
P005-003590	5 - 2	V420-001110	2 - 38		
P005-003600	5 - 3	V424-000000	8 - 7		
P005-003610	5 - 4	V450-000070	9 - 25		
P005-003620	5 - 7	V451-000470	9 - 7		
P005-003630	5 - 9	V452-000110	9 - 29		
P005-003640	5 - 31	V452-000260	8 - 21		
P005-003650	5 - 33	V452-001320	7 - 6		
P005-003660	5 - 37	V470-000321	2 - 35		
P005-003670	5 - 38	V470-000482	4 - 8		
P005-003680	5 - 39	V471-000740	1 - 18		
P005-003690	5 - 40	V471-000750	2 - 30		
P021-005581	2 - 20	V471-000760	1 - 22		
P021-005591	2 - 27	V471-001290	2 - 26		
P021-005810	9 - 6	V471-001440	2 - 25		
P021-008741	2 - 9	V475-002390	3 - 15		
P021-010890	1 - 12	V475-007430	3 - 16		
P021-039160	1 - 9	V485-000550	3 - 18		
P021-040641	2 - 2	V485-000560	8 - 1		
P021-045440	1 - 3	V485-000571	8 - 2		
P021-048570	1 - 1	V490-001230	1 - 20		
P021-048610	3 - 2	V490-001240	2 - 32		
P021-048620	9 - 8	V505-000011	1 - 11		
P022-001330	7 - 4	V553-000130	1 - 8		
P022-005891	7 - 10	V555-000170	9 - 2		
P022-008440	7 - 9	V582-000020	4 - 14		
P022-033280	7 - 5	V651-000001	9 - 12		
P022-039160	7 - 2	V651-000011	9 - 13		
V103-001510	4 - 9	V652-000030	1 - 15		
V104-001960	6 - 2	X122-000072	12 - A1		
V104-001980	6 - 6	X123-000132	12 - B1		
V130-000010	8 - 24	X222-000130	12 - A2		
V137-000000	2 - 37	X223-000080	12 - B2		
V142-000020	8 - 6	X224-000030	12 - C2		
V186-000510	2 - 34	X490-000570	10 - 1		
V202-000020	2 - 19	X502-000340	9 - 33		
V202-000020	8 - 28	X502-000410	7 - 13		
V203-000041	9 - 11	X503-013510	4 - 15		
V203-000080	3 - 10	X505-001340	4 - 16		
V224-000031	2 - 5	X505-002340	9 - 34		
V308-000030	1 - 13	X505-007100	8 - 29		
V341-000040	2 - 10	X505-007710	6 - 11		
V351-000000	4 - 5				
V353-000060	9 - 22				
V355-000140	9 - 14				
V356-000290	1 - 16				
V359-000060	4 - 4				
V376-000450	9 - 26				
V400-000070	8 - 15				
V401-000120	8 - 16				

YAMABIKO CORPORATION

7-2 SUEHIROCHO 1-CHOME, OHME, TOKYO 198-8760, JAPAN
PHONE: 81-428-32-6118. FAX: 81-428-32-6145.



-15H
No. 08-022