



# PARTS CATALOG

## CHAIN SAW

### CS-550

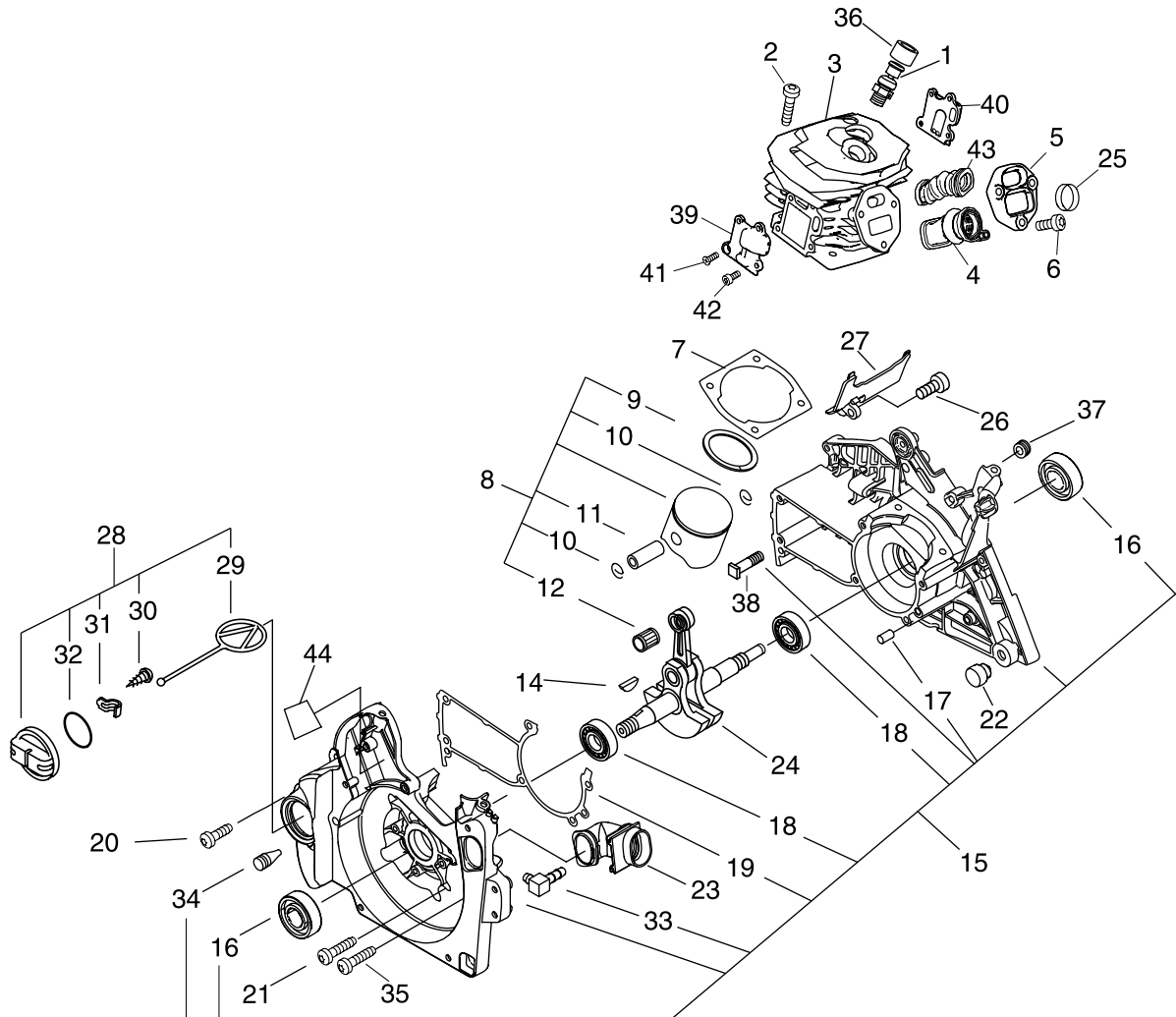
**3/8**



ISSUED:2010.10.05

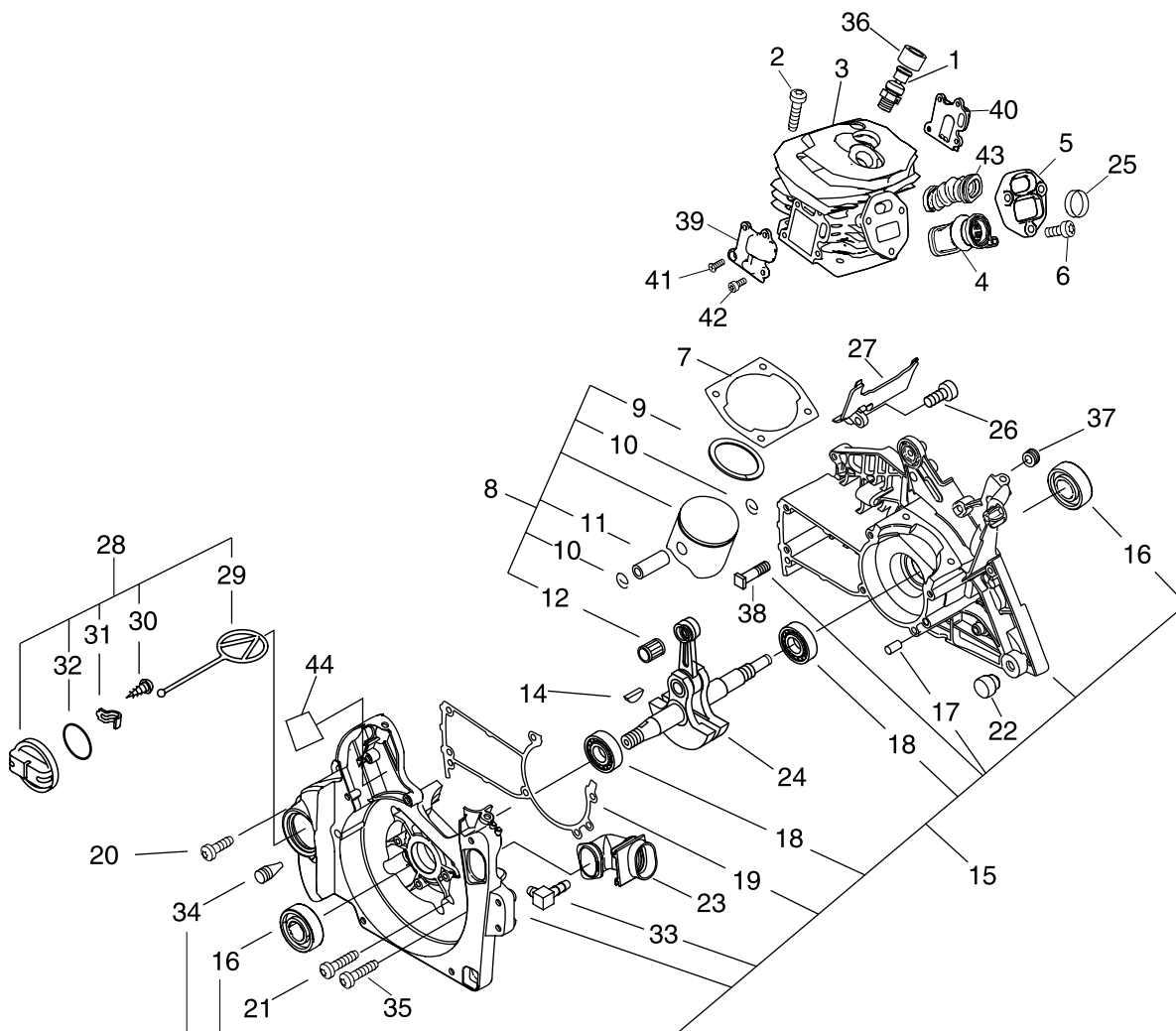
**P014-001120-10Jc**

Cylinder,Crank Case,Piston

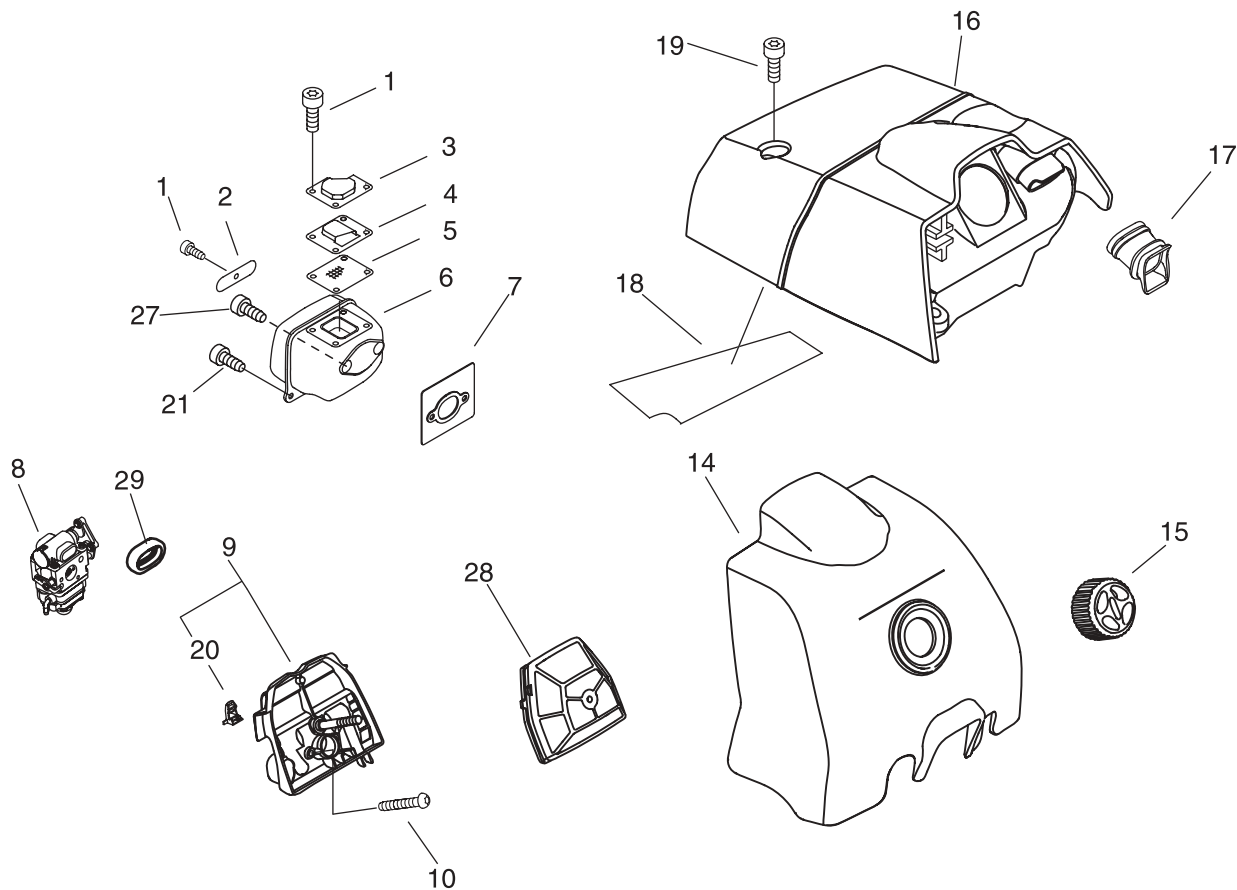


KEY	LV	PART NUMBER	Q'TY	DESCRIPTION	REMARKS
1		A014-000040	1	DECOMP,ASM	
2		V805-000220	4	BOLT, TORX 5	
3		A130001740	1	CYLINDER	
4		A202000220	1	BELLOWS, INTAKE	
5		A206000021	1	HOLDER, BELLOWS	
6		V805-000000	3	BOLT, TORX 5	
7		V100000630	1	GASKET,CYL	
8		P021036680	1	PISTON KIT	
9	+	A101000590	1	RING, PISTON	
10	+	100015-32330	2	CIRCLIP, PISTON PIN	
11	+	V609-000000	1	PIN,ENG 11	
12	+	V556-000000	1	BEARING,NEEDLE 11	
14		100142-30830	1	KEY, WOODRUFF	
15		P021036690	1	CRANKCASE KIT	
16	+	V508-000010	2	SEAL,OIL 15	
17	+	100215-02830	2	PIN, DOWEL	
18	+	94036-46202	2	BEARING BALL	
19	+	V102000210	1	GASKET,CRANKCASE	
33	+	437239-14730	1	NIPPLE	
34	+	436114-13930	1	VALVE, CHECK	
38	+	V205-000400	2	BOLT,8	
20		V805-000010	2	BOLT, TORX 5	
21		V805-000020	4	BOLT, TORX 5	

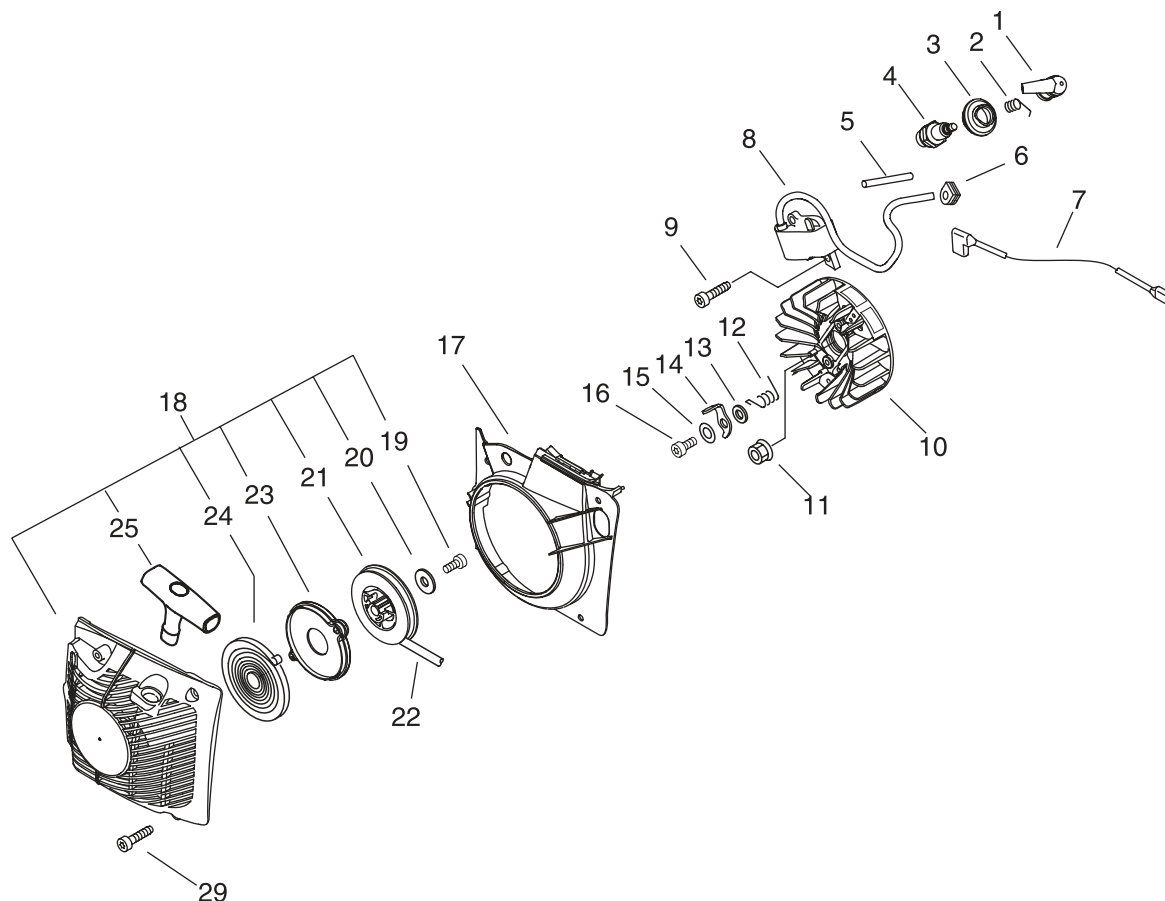
Cylinder,Crank Case,Piston



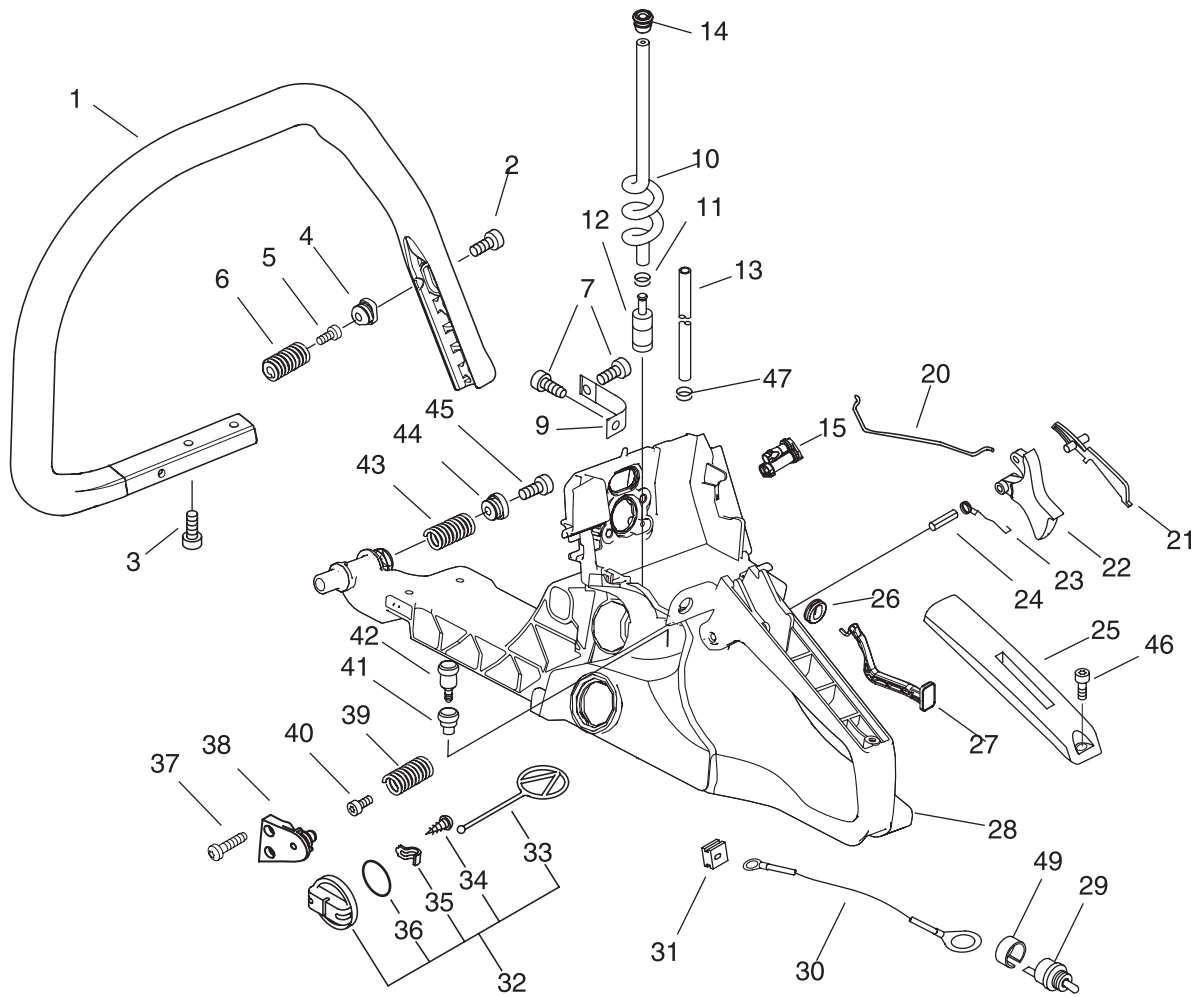
KEY	LV	PART NUMBER	QTY	DESCRIPTION	REMARKS
22		V420003800	2	CUSHION	
23		A239-000060	1	PIPE, INTAKE	
24		A011001100	1	CRANKSHAFT,ASY	
25		V359-000060	1	COLLAR,16	
26		V805-000000	1	BOLT, TORX 5	
27		E106000150	1	GUIDE, AIR	
28		P021-016030	1	CAP, OIL	
29	+	131051-19830	1	LINK	
30	+	900246-03008	1	SCREW 3*8	
31	+	131050-19830	1	RETAINER, LINK	
32	+	900720-00028	1	O-RING 28	
35		V805-000170	1	BOLT, TORX 5	
36		V141-000090	1	GROMMET, PLUG	
37		132115-01461	1	GROMMET	
39		P021036670	1	FIXTURE, VALVE KIT M	
40		P021036660	1	FIXTURE, VALVE KIT D	
41		900212-04014	2	SCREW 4*14	
42		V804-000050	6	BOLT, TORX 4	
43		A202000210	1	BELLOWS, INTAKE	
44		V376001780	1	SPACER	



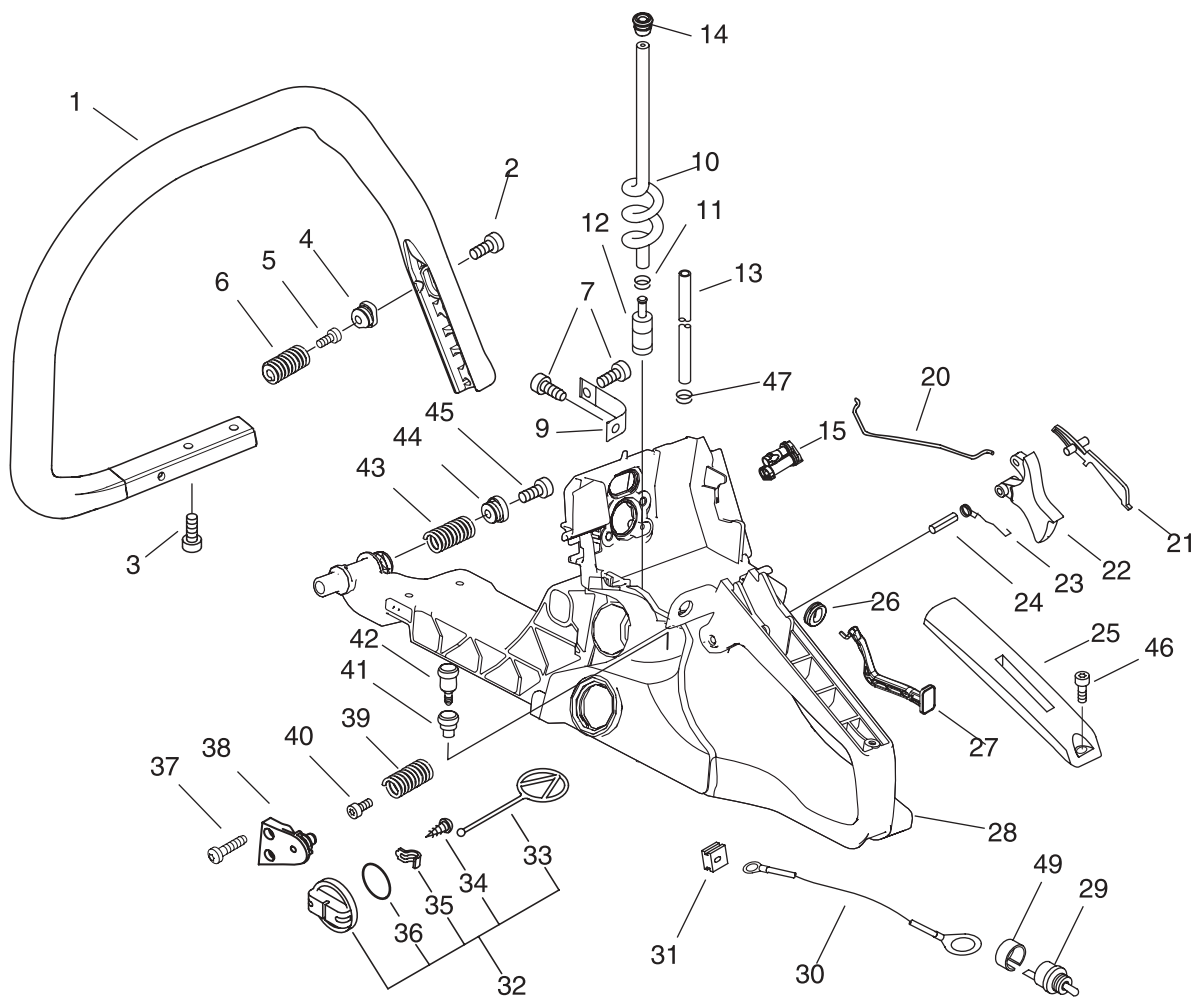
KEY	LV	PART NUMBER	Q'TY	DESCRIPTION	REMARKS
1		V804-000030	5	BOLT, TORX 4	
2		A301-000030	1	PLATE, MUFFLER	
3		A313001670	1	GUIDE, EXHAUST	
4		A313-001041	1	GUIDE, EXHAUST	
5		A310000090	1	SCREEN, ARRESTOR	
6		A300001560	1	MUFFLER,EXHAUST	
7		V104001770	1	GASKET,EXHAUST	
8		A021003360	1	CARBURETOR,DIAPHRAGM	
9		P021-036890	1	CASE,CLEANER	
20	+	A219000060	1	SHUTTER, AIR	
10		V805-000030	2	BOLT, TORX 5	
14		A232001400	1	LID,CLEANER	
15		A235-000200	1	KNOB,CLEANER LID	
16		A160002310	1	COVER,CYLINDER	
17		A239-000070	1	PIPE, INTAKE	
18		V341-000140	1	WASHER,SQUARE	
19		V805-000000	3	BOLT, TORX 5	
21		V805-000210	2	BOLT, TORX 5	
27		V855-000000	2	BOLT, TORX 5	
28		A226001610	1	ELEMENT, AIR FILTER	
29		V142000070	1	GROMMET,DUST	



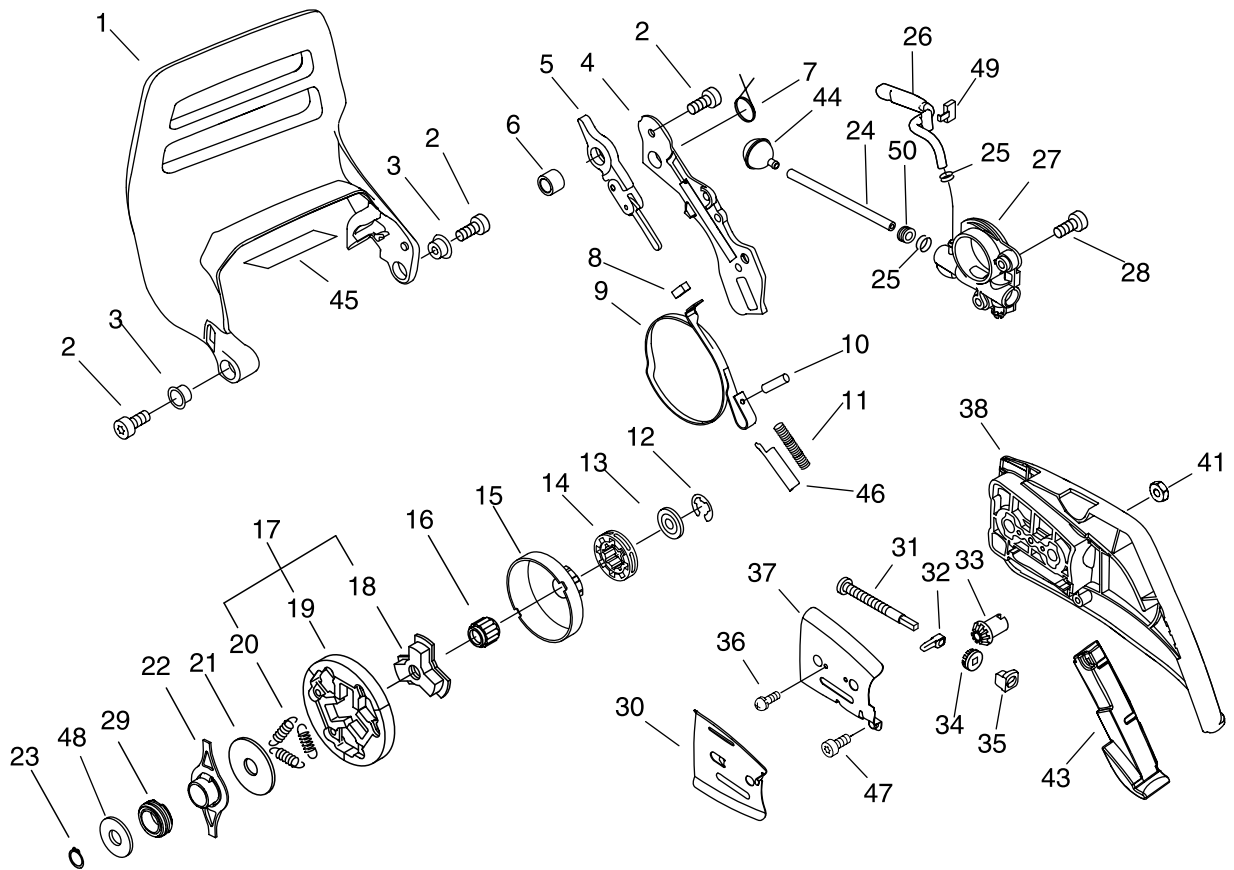
KEY	LV	PART NUMBER	QTY	DESCRIPTION	REMARKS
1		A427-000013	1	CAP,SPARK PLUG	
2		A426-000010	1	TERMINAL,SPARKPLUG	
3		A429-000040	1	COVER,CAP	
4		A425-000000	1	SPARKPLUG	
5		V475006660	1	TUBE	
6		156110-04920	1	BUSHING	
7		V485001091	1	LEAD	
8		A411001190	1	COIL, IGNITION	
9		V805-000000	2	BOLT, TORX 5	
10		A409-000360	1	ROTOR, MAGNETO	
11		900515-00008	1	NUT, FLANGE 8	
12		177234-35430	2	SPRING, RETURN	
13		177247-04630	2	SPACER, RATCHET	
14		177218-19830	2	PAWL, STARTER	
15		900603-00005	2	WASHER 5	
16		V835-000000	2	BOLT, TORX 5	
17		A172-000842	1	COVER,FAN	
18		P021-015163	1	STARTER ASY	
19	+	V805-000130	1	BOLT, TORX 5	
20	+	177214-02830	1	WASHER	
21	+	A506-000110	1	REEL, ROPE	
22	+	177226-07060	1	ROPE, STARTER	
23	+	A503-000030	1	PLATE, STARTER	
24	+	177220-35430	1	SPRING, REWIND	
25	+	A511-000071	1	GRIP, STARTER	
29		V805-000010	4	BOLT, TORX 5	



KEY	LV	PART NUMBER	Q'TY	DESCRIPTION	REMARKS
1		C400001040	1	HANDLE, FRONT	
2		V806-000000	1	BOLT, TORX 6	
3		V805-000010	4	BOLT, TORX 5	
4		V456-000080	1	HOLDER, SPRING	
5		V805-000000	1	BOLT, TORX 5	
6		V450-000730	1	SPRING, COMPRESSION	
7		V805-000000	2	BOLT, TORX 5	
9		C617-000361	1	STOPPER	
10		V471003080	1	PIPE	
11		132013-09820	1	CLIP	
12		131205-19831	1	STRAINER, FUEL	
13		132012-02960	1	PIPE, FUEL	
14		132115-01461	1	GROMMET	
15		V131-000180	1	GROMMET, NEEDLE	
20		C454000470	1	ROD, THROTTLE	
21		178090-37930	1	LOCKOUT, T. CONTROL	
22		C450-000360	1	CONTROL, THROTTLE	
23		V452-000260	1	SPRING, TORSION	
24		900345-40025	1	PIN, SPRING 4*25SUS	
25		C411-000001	1	LID, HANDLE	
26		V130-000030	1	GROMMET, CHOKE	
27		A241000220	1	KNOB, CHOKE	
28		C410001000	1	HANDLE, REAR	
29		A440-001190	1	SWITCH, ON OFF	



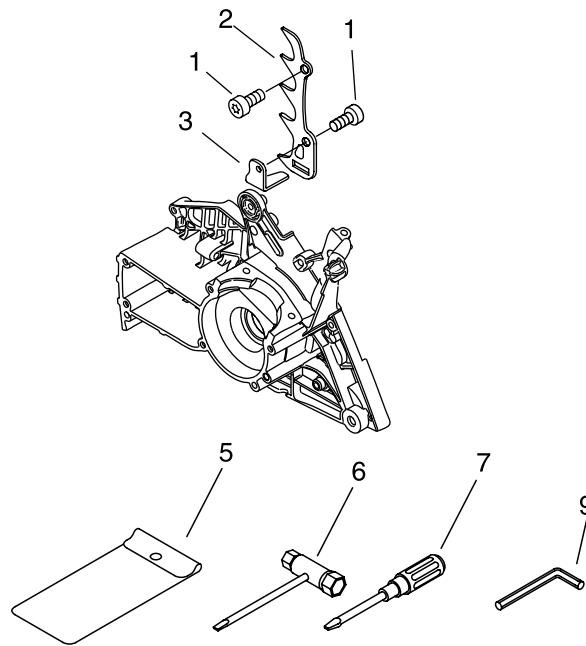
KEY	LV	PART NUMBER	QTY	DESCRIPTION	REMARKS
30		V485-001101	1	LEAD	
31		150114-04920	1	BUSHING	
32		P021-016040	1	CAP,FUER ASSY	
33	+	131051-19830	1	LINK	
34	+	900246-03008	1	SCREW 3*8	
35	+	131050-19830	1	RETAINER, LINK	
36	+	900720-20029	1	O-RING 29	
37		V805-000010	2	BOLT, TORX 5	
38		V456-000090	1	HOLDER, SPRING	
39		V450001630	1	SPRING, COMPRESSION	
40		V805-000010	1	BOLT, TORX 5	
41		A359-000000	1	COVER, VENT	
42		13130056431	1	VENT ASSEMBLY, FUEL	
43		V450-000770	1	SPRING, COMPRESSION	
44		V456-000101	1	HOLDER, SPRING	
45		V806-000000	1	BOLT, TORX 6	
46		V804-000000	1	BOLT, TORX 4	
47		132013-26630	1	CLIP	
49		A472-000090	1	CAP	



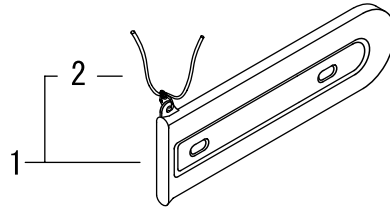
KEY	LV	PART NUMBER	Q'TY	DESCRIPTION	REMARKS
1		C320000410	1	LEVER, BRAKE	
2		V805-000000	5	BOLT, TORX 5	
3		V356-000440	2	COLLAR,10	
4		C345-000282	1	COVER,BRAKE	
5		C334-000110	1	CONNECTOR, BRAKE	
6		V356-000470	1	COLLAR,10	
7		V452-000400	1	SPRING,TORSION	
8		V376-000450	1	SPACER	
9		C328-000121	1	BAND, BRAKE	
10		93050-30080	1	ROLLER	
11		V450-000740	1	SPRING, COMPRESSION	
12		V583-000130	1	RING	
13		V307000410	1	WASHER, CIRCULAR 10	
14		175114-03430	1	SPROCKET, RIM	
15		A556001310	1	DRUM, CLUTCH	
16		V555000160	1	BEARING, NEEDLE 10	
17		A056-000220	1	CLUTCH ASY	
18	+	A552-000110	1	HUB, CLUTCH	
19	+	P021-007050	1	CLUTCH SHOE SET	
20	+	V451-000500	3	SPRING, TENSION	
21		A551-000110	1	PLATE, CLUTCH	
22		V358-000090	1	COLLAR, 14	
23		900701-00015	1	CIRCLIP 15	
24		437210-30830	1	PIPE, OIL	



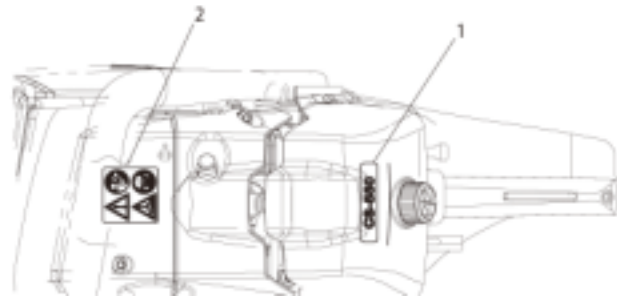
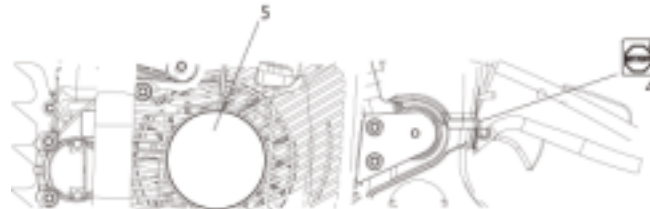
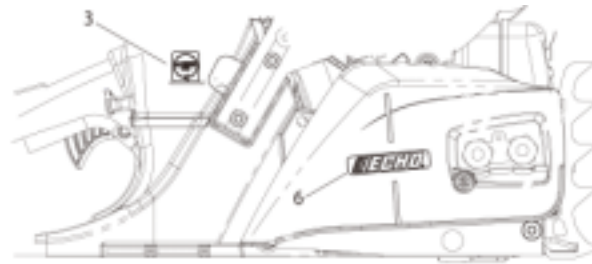




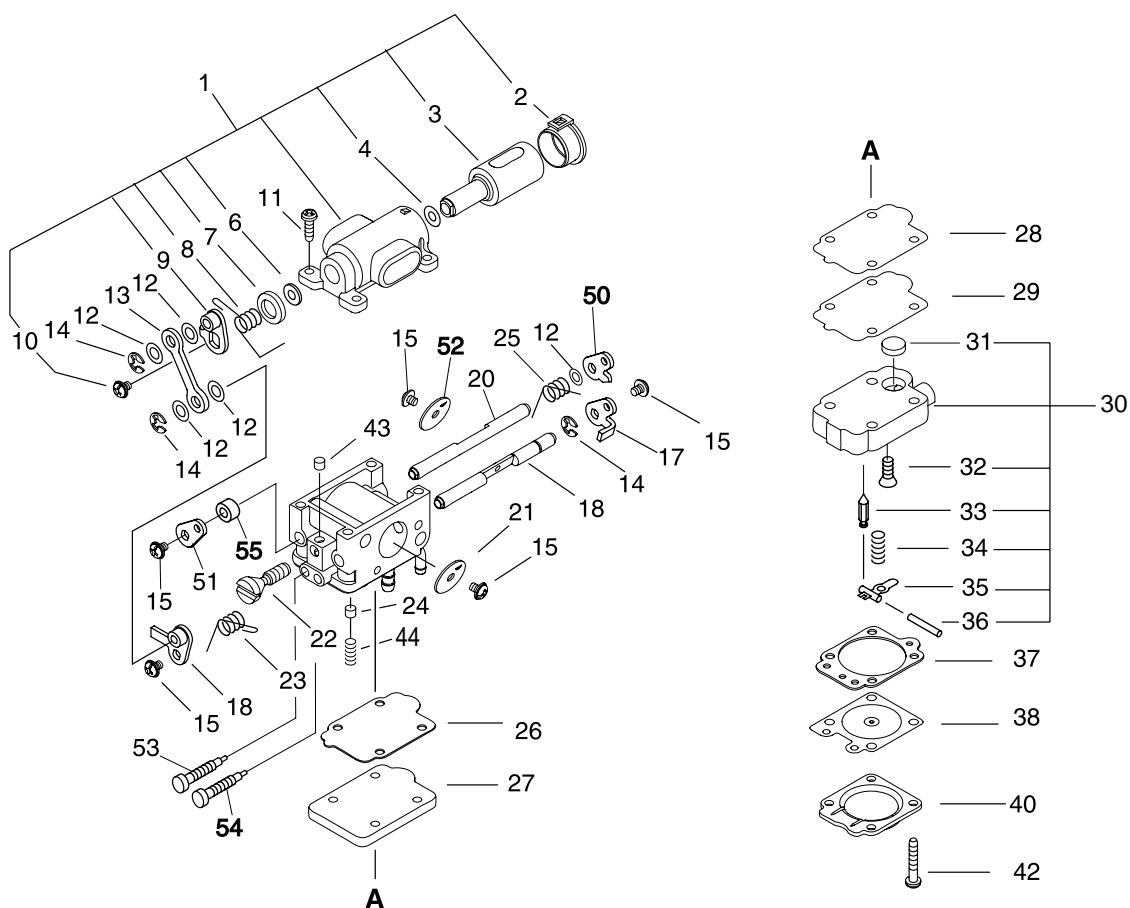
KEY	LV	PART NUMBER	Q'TY	DESCRIPTION	REMARKS
1		V805-000000	2	BOLT, TORX 5	
2		C304-000180	1	SPIKED	
3		C310-000010	1	CATCHER, CHAIN	
5		X698-000050	1	TOOL, CASE	
6		X602-000080	1	TOOL, WRENCH	
7		895812-03930	1	DRIVER, SCREW 50	
9		X605-000050	1	TOOL, L'WRENCH	



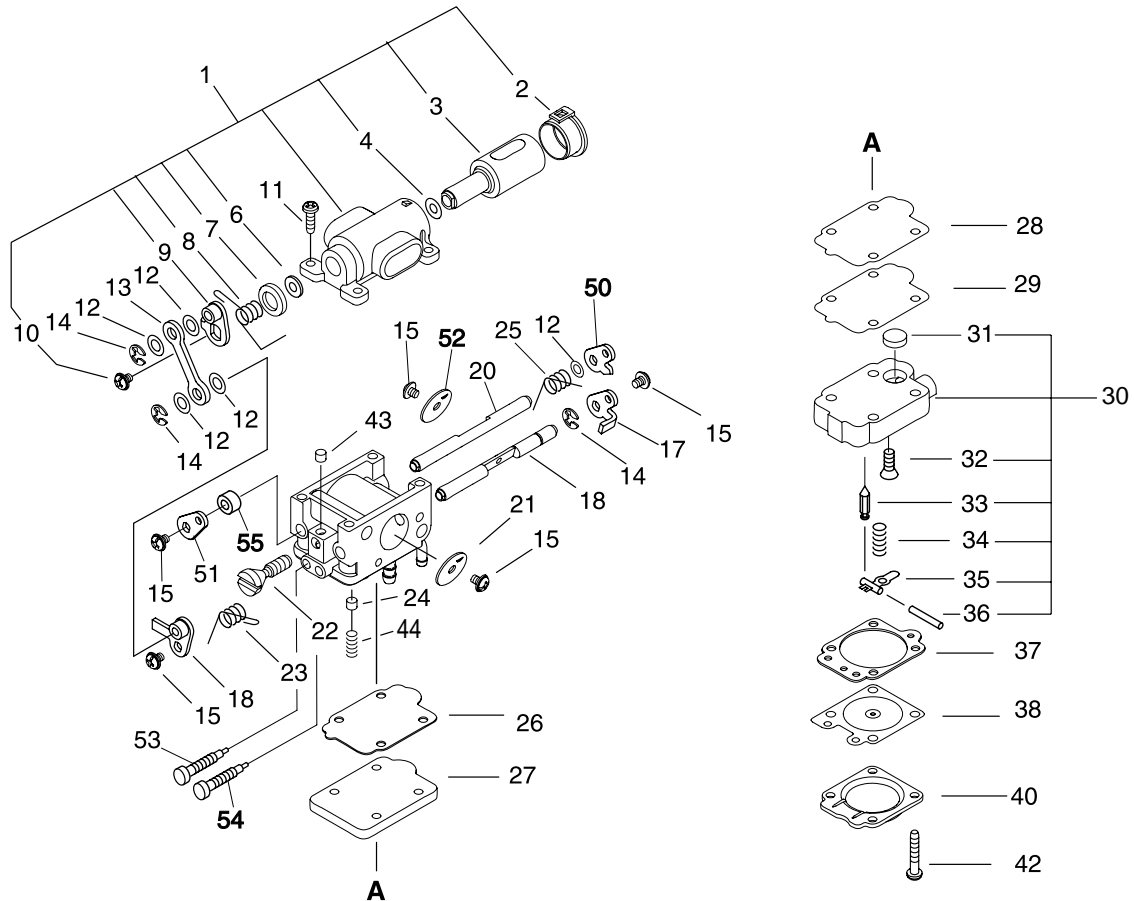
KEY	LV	PART NUMBER	Q'TY	DESCRIPTION	REMARKS
1		P021-014290	1	SCABBARD,CHAIN	
2	+	898568-14530	1	ROPE	



KEY	LV	PART NUMBER	Q'TY	DESCRIPTION	REMARKS
1		X503-010460	1	LABEL,MODEL	
2		890345-39230	1	LABEL,CAUTION	
3		X505-000180	1	LABEL,CAUTION	
4		890157-39130	1	LABEL, SWITCH	
5		X502-000460	1	LABEL,ECHO	
6		X502-000340	1	LABEL,ECHO	



KEY	LV	PART NUMBER	Q'TY	DESCRIPTION	REMARKS
		A021003360	1	CARBURETOR,DIAPHRAGM	
1	+	P003-004230	1	BODY ASY AIR VALVE	
2	++	P003004040	1	COVER,AIR VALVE BODY	
3	++	P003-002020	1	VALVE AIR	
4	++	P003-002050	1	WASHER	
6	++	P003-002060	1	SEAL DUST	
7	++	P003-002000	1	COVER DUST	
8	++	P003-002040	1	SPRING RETURN	
9	++	P003-004240	1	LINK ASSEMBLY-AIR	
10	++	P003-002030	1	SCREW	
11	+	123114-40630	4	SCREW	
12	+	123149-26030	4	WASHER	
13	+	P003-002080	1	LINK ROD	
14	+	123127-15030	3	RING	
15	+	123114-38830	4	SCREW	
17	+	P003004250	1	LEVER-OUTER	
18	+	P003004680	1	SHAFT ASY,THROTTLE	
20	+	P003004270	1	SHAFT ASY,CHOKE	
21	+	123116-10530	1	VALVE, THROTTLE	
22	+	P003-002130	1	SCREW	
23	+	P003-002150	2	SPRING	
24	+	123185-39130	1	PISTON ASSY	
25	+	P003004290	1	SPRING	
26	+	P003-002110	1	GASKET,PASSAGE	



KEY	LV	PART NUMBER	Q'TY	DESCRIPTION	REMARKS
27	+	P003-002160	1	PLATE PASSAGE	
28	+	P003-000100	1	GASKET, PUMP	
29	+	123112-40630	1	DIAPHRAGM, PUMP	
30	+	P003-004220	1	BODY ASSEMBLY, PUMP	
31	++	123126-10631	1	SCREEN, INLET	
32	++	123139-05560	1	SCREW, M. LEVER PIN	
33	++	123137-19830	1	VALVE, INLET NEEDLE	
34	++	123122-05560	1	SPRING, METER. LEVER	
35	++	123123-03930	1	LEVER, METERING	
36	++	123138-03930	1	PIN, METERING LEVER	
37	+	123140-27230	1	GASKET, M. DIAPHRAGM	
38	+	P003-001850	1	DIAPHRAGM, METERING	
40	+	123142-03930	1	COVER, M. DIAPHRAGM	
42	+	123110-40630	4	SCREW, PUMP COVER	
43	+	123178-15030	1	PLUG, FRICTION	
44	+	P003-004300	1	SPRING	
50	+	P003-001510	1	LEVER-FAST IDLE	
51	+	P003004060	1	LEVER, CHOKE	
52	+	P003-002200	1	VALVE, CHOKE	
53	+	P003-002270	1	NEEDLE	
54	+	P003004360	1	NEEDLE	
55	+	P003004330	1	SPACER	

1A	40RV58-3/8E	2A	73LGX-60E
1B	45RV58-3/8E	2B	73LGX-64E
1C	50RV58-3/8E	2C	73LGX-72E

KEY	LV	PART NUMBER	Q'TY	DESCRIPTION	REMARKS
1A		X124-000500	1	GUIDE BAR 40RV58-3/8E	
1B		X264-000040	1	CHAIN, SAW 73LGX-60E	
2A		X125-000180	1	GUIDE BAR 45RV58-3/8E	
2B		431017-30831	1	CHAIN, SAW 73LGX-64E	
1C		X126-000150	1	GUIDE BAR 50RV58-3/8E	
2C		431012-30831	1	CHAIN, SAW 73LGX-72E	

**Index**

<b>Parts Number</b>	<b>Key No.</b>	<b>Parts Number</b>	<b>Key No.</b>	<b>Parts Number</b>	<b>Key No.</b>
13130056431	4 - 42	890345-39230	8 - 2	A506-000110	3 - 21
100015-32330	1 - 10	895812-03930	6 - 7	A511-000071	3 - 25
100142-30830	1 - 14	898568-14530	7 - 2	A551-000110	5 - 21
100215-02830	1 - 17	900212-04014	1 - 41	A552-000110	5 - 18
123110-40630	9 - 42	900246-03008	1 - 30	A556001310	5 - 15
123112-40630	9 - 29	900246-03008	4 - 34	C022-000051	5 - 27
123114-38830	9 - 15	900345-40025	4 - 24	C300000810	5 - 38
123114-40630	9 - 11	900515-00008	3 - 11	C302-000010	5 - 43
123116-10530	9 - 21	900603-00005	3 - 15	C304-000180	6 - 2
123122-05560	9 - 34	900701-00015	5 - 23	C305000390	5 - 30
123123-03930	9 - 35	900720-00028	1 - 32	C305000400	5 - 37
123126-10631	9 - 31	900720-20029	4 - 36	C309000150	5 - 32
123127-15030	9 - 14	91325-03005	5 - 36	C310-000010	6 - 3
123137-19830	9 - 33	93050-30080	5 - 10	C320000410	5 - 1
123138-03930	9 - 36	94036-46202	1 - 18	C328-000121	5 - 9
123139-05560	9 - 32	A011001100	1 - 24	C334-000110	5 - 5
123140-27230	9 - 37	A014-000040	1 - 1	C345-000282	5 - 4
123142-03930	9 - 40	A021003360	2 - 8	C400001040	4 - 1
123149-26030	9 - 12	A021003360	-	C410001000	4 - 28
123178-15030	9 - 43	A056-000220	5 - 17	C411-000001	4 - 25
123185-39130	9 - 24	A101000590	1 - 9	C450-000360	4 - 22
131050-19830	1 - 31	A130001740	1 - 3	C454000470	4 - 20
131050-19830	4 - 35	A160002310	2 - 16	C518000150	5 - 49
131051-19830	1 - 29	A172-000842	3 - 17	C603-000220	5 - 46
131051-19830	4 - 33	A202000210	1 - 43	C617-000361	4 - 9
131205-19831	4 - 12	A202000220	1 - 4	E106000150	1 - 27
132012-02960	4 - 13	A206000021	1 - 5	P003-000100	9 - 28
132013-09820	4 - 11	A219000060	2 - 20	P003-001510	9 - 50
132013-09820	5 - 25	A226001610	2 - 28	P003-001850	9 - 38
132013-26630	4 - 47	A232001400	2 - 14	P003-002000	9 - 7
132115-01461	1 - 37	A235-000200	2 - 15	P003-002020	9 - 3
132115-01461	4 - 14	A239-000060	1 - 23	P003-002030	9 - 10
150114-04920	4 - 31	A239-000070	2 - 17	P003-002040	9 - 8
156110-04920	3 - 6	A241000220	4 - 27	P003-002050	9 - 4
175114-03430	5 - 14	A300001560	2 - 6	P003-002060	9 - 6
177214-02830	3 - 20	A301-000030	2 - 2	P003-002080	9 - 13
177218-19830	3 - 14	A310000090	2 - 5	P003-002110	9 - 26
177220-35430	3 - 24	A313-001041	2 - 4	P003-002130	9 - 22
177226-07060	3 - 22	A313001670	2 - 3	P003-002150	9 - 23
177234-35430	3 - 12	A359-000000	4 - 41	P003-002160	9 - 27
177247-04630	3 - 13	A409-000360	3 - 10	P003-002200	9 - 52
178090-37930	4 - 21	A411001190	3 - 8	P003-002270	9 - 53
431012-30831	10 - 2C	A425-000000	3 - 4	P003004040	9 - 2
431017-30831	10 - 2B	A426-000010	3 - 2	P003004060	9 - 51
436114-13930	1 - 34	A427-000013	3 - 1	P003-004220	9 - 30
436205-14730	5 - 44	A429-000040	3 - 3	P003-004230	9 - 1
437210-30830	5 - 24	A440-001190	4 - 29	P003-004240	9 - 9
437239-14730	1 - 33	A472-000090	4 - 49	P003004250	9 - 17
890157-39130	8 - 4	A503-000030	3 - 23	P003004270	9 - 20



**Index**

<b>Parts Number</b>	<b>Key No.</b>	<b>Parts Number</b>	<b>Key No.</b>	<b>Parts Number</b>	<b>Key No.</b>
P003004290	9 - 25	V475006660	3 - 5	X698-000050	6 - 5
P003004300	9 - 44	V485001091	3 - 7		
P003004330	9 - 55	V485-001101	4 - 30		
P003004360	9 - 54	V508-000010	1 - 16		
P003-004680	9 - 18	V555000160	5 - 16		
P021-007050	5 - 19	V556-000000	1 - 12		
P021-014290	7 - 1	V583-000130	5 - 12		
P021-015163	3 - 18	V609-000000	1 - 11		
P021-016030	1 - 28	V651-000001	5 - 33		
P021-016040	4 - 32	V651-000011	5 - 34		
P021036660	1 - 40	V652-000050	5 - 29		
P021036670	1 - 39	V804-000000	4 - 46		
P021036680	1 - 8	V804-000000	5 - 28		
P021036690	1 - 15	V804-000000	5 - 47		
P021-036890	2 - 9	V804-000030	2 - 1		
V100000630	1 - 7	V804-000050	1 - 42		
V102000210	1 - 19	V805-000000	1 - 6		
V104001770	2 - 7	V805-000000	1 - 26		
V130-000030	4 - 26	V805-000000	2 - 19		
V131-000180	4 - 15	V805-000000	3 - 9		
V141-000090	1 - 36	V805-000000	4 - 5		
V142000070	2 - 29	V805-000000	4 - 7		
V203-000110	5 - 31	V805-000000	5 - 2		
V205-000400	1 - 38	V805-000000	6 - 1		
V265-000250	5 - 41	V805-000010	1 - 20		
V307000410	5 - 13	V805-000010	3 - 29		
V311-000090	5 - 48	V805-000010	4 - 3		
V341-000140	2 - 18	V805-000010	4 - 37		
V341000170	5 - 45	V805-000010	4 - 40		
V355-000270	5 - 35	V805-000020	1 - 21		
V356-000440	5 - 3	V805-000030	2 - 10		
V356-000470	5 - 6	V805-000130	3 - 19		
V358-000090	5 - 22	V805-000170	1 - 35		
V359-000060	1 - 25	V805-000210	2 - 21		
V376-000450	5 - 8	V805-000220	1 - 2		
V376001780	1 - 44	V806-000000	4 - 2		
V420003800	1 - 22	V806-000000	4 - 45		
V450-000730	4 - 6	V835-000000	3 - 16		
V450-000740	5 - 11	V855-000000	2 - 27		
V450-000770	4 - 43	X124-000500	10 - 1A		
V450001630	4 - 39	X125-000180	10 - 2A		
V451-000500	5 - 20	X126-000150	10 - 1C		
V452-000260	4 - 23	X264-000040	10 - 1B		
V452-000400	5 - 7	X502-000340	8 - 6		
V456-000080	4 - 4	X502-000460	8 - 5		
V456-000090	4 - 38	X503-010460	8 - 1		
V456-000101	4 - 44	X505-000180	8 - 3		
V470001790	5 - 26	X602-000080	6 - 6		
V471003080	4 - 10	X605-000050	6 - 9		

# YAMABIKO CORPORATION

7-2 SUEHIROCHO 1-CHOME, OHME, TOKYO 198-8760, JAPAN  
PHONE: 81-428-32-6118. FAX: 81-428-32-6145.

